



**CUMBA PANJUR VE ALÜMİNYUM
DOĞRAMA SİSTEMLERİ İNŞAAT SANAYİ
TİCARET LİMİTED ŞİRKETİ**



About Us

Since 2005, it has aimed to develop medium and large-scale projects in the blinds sector, to bring new blind technologies to our country and to contribute to the modern level of our blinds industry by following the latest innovations in technology. Cumba Blinds and Aluminum Joinery Systems Construction Industry Trade Limited Company was established in 2023 by combining with its founding partners and staff, who have consistently continued with their professionalism, creativity, honesty and market development features. It has reached its current position with its founding partners and personnel, who have achieved a serious reputation in the sector by completing the commitments it has undertaken on time and above the expected quality levels.

The experience and professionalism of our colleagues and the strategy and organizational success developed by the management team have been effective. Expert in the sector, with its qualified personnel, it provides services to its esteemed customers and dealers with its domestic and international markets.

Blinds, Joinery, Glass Balcony, Guillotine, Awning, Mosquito Net, Shading Systems, Smart Home and Automation Systems are also included in our production and sales network.

We will continue to provide quality service focused on Innovative, Honest, Reliable, Ethical Working, Customer Satisfaction.

Regards

Cumba Shutters Team

FOAM BOX (PS BOXES)

STYROFOAM BOXES :

250 Eco Box :

Width (External) : 230 mm

Height (External) : 250 mm

Inner Winding Area : 190 mm

250 Standard Box :

Width (External) : 257 mm

Height (External) : 260 mm

Inner Winding Area : 205 mm

300 Standard Box :

Width (External) : 300 mm

Height (External) : 300 mm

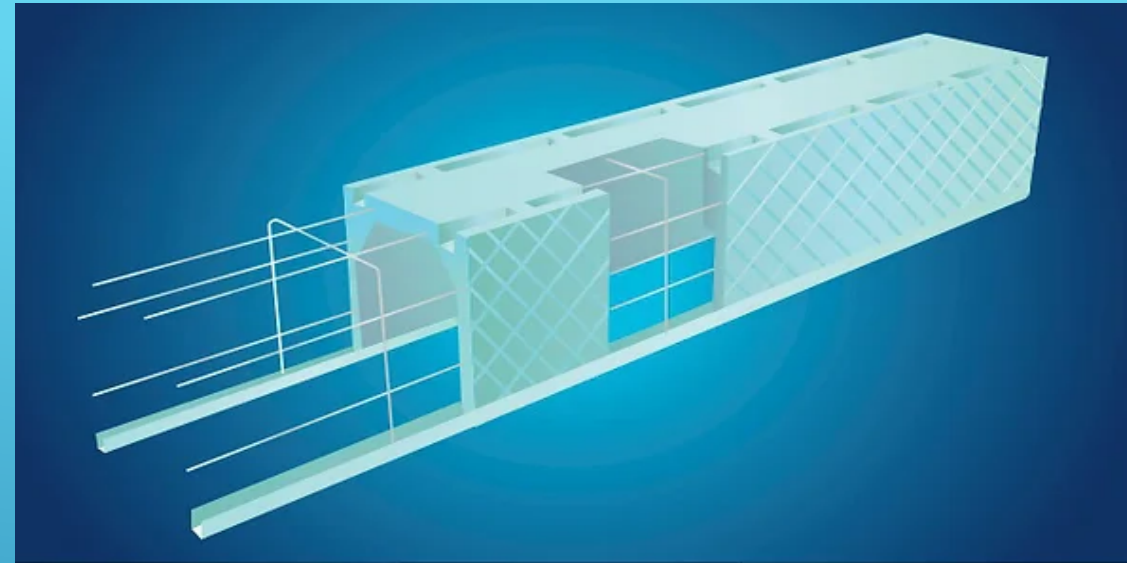
Inner Winding Area : 246 mm

It must be applied before plastering during Rough Construction. Since it is a foam box, it contributes to your home by minimizing sound and insulation.

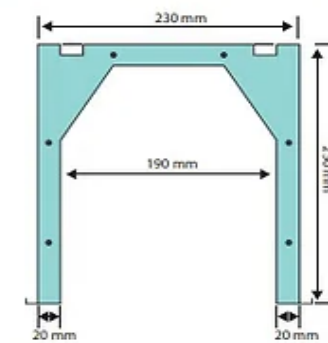
30-32 Density B1 Class fireproof, green colored EPS raw material suitable for injection is used.

Galvanized mesh steel is used, which is formed into chambers with a diameter of 4 mm with 25 cm intervals.

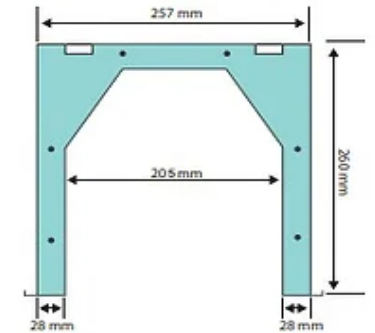
Press aluminum is used, which is suitable for installation of an intervention cover with a thickness of 1.2 mm and has a special tab to prevent plaster leakage.



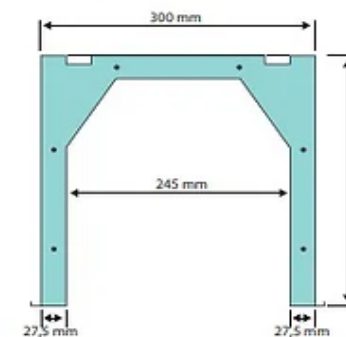
Gövde 250 Eko / Body 250 / Coffre de 250



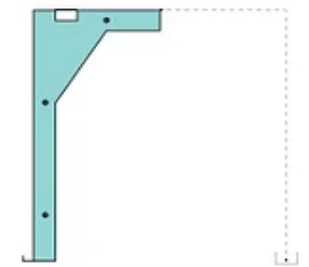
Gövde 250 / Body 250 / Coffre de 250



Gövde 300 / Body 300 / Coffre de 300



Sonsuz Gövde / Endless Body / Coffre Interminable



WHAT IS DETAILS SHUTTERS?

In today's construction sector, it has come to the forefront with its lightness in the buildings, as well as providing sound and insulation in new constructions. Detail Shutter Systems add beauty to the building visually.

Shutter boxes made of MDF, which have been widely used since the past, have always been the "weak link" in building insulation due to cold, wind and moisture tensions. Foam shutter boxes eliminate all these handicaps because their main material is EPS. The details and sections of our louver boxes minimize the air and sound permeability of the overall louver system with the "intervention cover" detail solutions, which cause the most important problems in traditional applications. Important. Note:

This system, which is also called hidden blinds, should be prepared inside your wall with a Foam Box or Carcass system before the joinery is installed while your house is under construction.

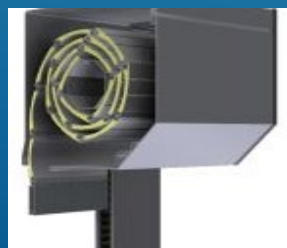


WHAT IS OUTBOARD LOUVER?

With this Shutter system, it is a blind system consisting entirely of aluminum that can be applied to the exterior of sections such as window, door, balcony closures in all of your old or new buildings.

Aluminum shutters, thermal insulation can be increased up to 25% in winter. Solar radiation is completely eliminated by aluminum louvers. Aluminum louvers reduce outside noise up to 10 decibels. The most effective solution is aluminum shutters.

Because aluminum is the best metal for building materials that are exposed to daily influences, as light but also strong products materials.



WHAT IS MONOBLOCK SHUTTERS?

When it comes to Monoblock Blinds, it is a shutter system that provides integrity between the joinery and the wall, which is assembled together with PVC or Aluminum joinery. Monoblock Box system part consists of PVC materials. Aluminum polyurethane lamella or PVC lamella can be used if desired. Monoblock system shutters are a system that consists of many materials such as Pvc Box, Pvc Sewing, Pvc Lamel. Due to weather conditions in today's buildings and in Turkey, this system is combined with aluminum parts and used in various combinations according to the condition of the building. In order to provide insulation according to Detail Shutter and Outboard Shutter systems, a special half-moon foam insulation material should be placed inside the box. With its plastic box, insulated, highly aesthetic and modern appearance, which can be mounted on windows of all brands in all kinds of new constructions and renovations, it easily adapts to all kinds of projects as well as your security needs.





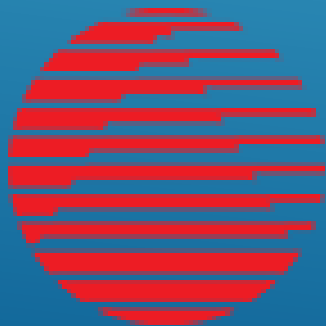
GARAGE DOOR SYSTEMS

They are systems that can be opened and closed easily with a remote control without getting out of your vehicle, made entirely of aluminum, produced specially for your buildings, with safety photocell and usage security if desired, providing high protection against theft.

- Rolling Shutter (Aluminum Polyurethane Filled, Extrusion or Steel Lamel)
- Sliding Door Systems
- Barrier Door Systems
- Inner and Outward Opening Door Systems



39 Aluminum Polyurethane Filled Blinds Profile



Alusel – 39 Aluminum Polyurethane Filled Blinds Profile



Code : 01 White

Aluminum Polyurethane Filled Profile
Ventilation with hole (AHO) – SL.039.XX.AHO

Aluminum Polyurethane Filled Profile –
Ventilation without hole (AWH) – SL.039.XX.AWH

Nominal Thickness: 8,9mm

Weight (m²/kg): 2,30 kgs

Recomended Maximum Width: 2300mm

Closing Surface : 39mm

Maximum Usage Area: 5,50 m²

Recomended Maximum Height : 2400mm

Standard Production Length: 6500mm

Number of Profiles at 1m Height : 25,641 (per piece)

Specifications of Packafes: 1 package :
60 piece x 6,50m = 390m

Dimension of Packages :
width x height x length = 200 x 90 x 6500mm

Alusel – 39 Aluminum Polyurethane Filled Blinds Profile



Code : 02 Gray

Aluminum Polyurethane Filled Profile
Ventilation with hole (AHO) – SL.039.XX.AHO

Aluminum Polyurethane Filled Profile –
Ventilation without hole (AWH) – SL.039.XX.AWH

Nominal Thickness: 8,9mm

Weight (m2/kg): 2,30 kgs

Recomended Maximum Width: 2300mm

Closing Surface : 39mm

Maximum Usage Area: 5,50 m2

Recomended Maximum Height : 2400mm

Standard Production Length: 6500mm

Number of Profiles at 1m Height : 25,641 (per piece)

Specifications of Packafes: 1 package :
60 piece x 6,50m = 390m

Dimension of Packages :
width x height x length = 200 x 90 x 6500mm

Alusel – 39 Aluminum Polyurethane Filled Blinds Profile



Code : 03 Brown

Aluminum Polyurethane Filled Profile
Ventilation with hole (AHO) – SL.039.XX.AHO

Aluminum Polyurethane Filled Profile –
Ventilation without hole (AWH) – SL.039.XX.AWH

Nominal Thickness: 8,9mm

Weight (m²/kg): 2,30 kgs

Recomended Maximum Width: 2300mm

Closing Surface : 39mm

Maximum Usage Area: 5,50 m²

Recomended Maximum Height : 2400mm

Standard Production Length: 6500mm

Number of Profiles at 1m Height : 25,641 (per piece)

Specifications of Packafes: 1 package :
60 piece x 6,50m = 390m

Dimension of Packages :
width x height x length = 200 x 90 x 6500mm

Alusel – 39 Aluminum Polyurethane Filled Blinds Profile



Code : 04 Metallic Gray

Aluminum Polyurethane Filled Profile
Ventilation with hole (AHO) – SL.039.XX.AHO

Aluminum Polyurethane Filled Profile –
Ventilation without hole (AWH) – SL.039.XX.AWH

Nominal Thickness: 8,9mm

Weight (m²/kg): 2,30 kgs

Recomended Maximum Width: 2300mm

Closing Surface : 39mm

Maximum Usage Area: 5,50 m²

Recomended Maximum Height : 2400mm

Standard Production Length: 6500mm

Number of Profiles at 1m Height : 25,641 (per piece)

Specifications of Packafes: 1 package :
60 piece x 6,50m = 390m

Dimension of Packages :
width x height x length = 200 x 90 x 6500mm

Alusel – 39 Aluminum Polyurethane Filled Blinds Profile



Code : 06 Dark Wood

Aluminum Polyurethane Filled Profile
Ventilation with hole (AHO) – SL.039.XX.AHO

Aluminum Polyurethane Filled Profile –
Ventilation without hole (AWH) – SL.039.XX.AWH

Nominal Thickness: 8,9mm

Weight (m²/kg): 2,30 kgs

Recomended Maximum Width: 2300mm

Closing Surface : 39mm

Maximum Usage Area: 5,50 m²

Recomended Maximum Height : 2400mm

Standard Production Length: 6500mm

Number of Profiles at 1m Height : 25,641 (per piece)

Specifications of Packafes: 1 package :
60 piece x 6,50m = 390m

Dimension of Packages :
width x height x length = 200 x 90 x 6500mm

Alusel – 39 Aluminum Polyurethane Filled Blinds Profile



Code : 07 Metallic Bronze

Aluminum Polyurethane Filled Profile
Ventilation with hole (AHO) – SL.039.XX.AHO

Aluminum Polyurethane Filled Profile –
Ventilation without hole (AWH) – SL.039.XX.AWH

Nominal Thickness: 8,9mm

Weight (m²/kg): 2,30 kgs

Recomended Maximum Width: 2300mm

Closing Surface : 39mm

Maximum Usage Area: 5,50 m²

Recomended Maximum Height : 2400mm

Standard Production Length: 6500mm

Number of Profiles at 1m Height : 25,641 (per piece)

Specifications of Packafes: 1 package :
60 piece x 6,50m = 390m

Dimension of Packages :
width x height x length = 200 x 90 x 6500mm

Alusel – 39 Aluminum Polyurethane Filled Blinds Profile



Code : 08 Cream

Aluminum Polyurethane Filled Profile
Ventilation with hole (AHO) – SL.039.XX.AHO

Aluminum Polyurethane Filled Profile –
Ventilation without hole (AWH) – SL.039.XX.AWH

Nominal Thickness: 8,9mm

Weight (m²/kg): 2,30 kgs

Recomended Maximum Width: 2300mm

Closing Surface : 39mm

Maximum Usage Area: 5,50 m²

Recomended Maximum Height : 2400mm

Standard Production Length: 6500mm

Number of Profiles at 1m Height : 25,641 (per piece)

Specifications of Packafes: 1 package :
60 piece x 6,50m = 390m

Dimension of Packages :
width x height x length = 200 x 90 x 6500mm

Alusel – 39 Aluminum Polyurethane Filled Blinds Profile



Code : 09 Dark Beige

Aluminum Polyurethane Filled Profile
Ventilation with hole (AHO) – SL.039.XX.AHO

Aluminum Polyurethane Filled Profile –
Ventilation without hole (AWH) – SL.039.XX.AWH

Nominal Thickness: 8,9mm

Weight (m²/kg): 2,30 kgs

Recomended Maximum Width: 2300mm

Closing Surface : 39mm

Maximum Usage Area: 5,50 m²

Recomended Maximum Height : 2400mm

Standard Production Length: 6500mm

Number of Profiles at 1m Height : 25,641 (per piece)

Specifications of Packafes: 1 package :
60 piece x 6,50m = 390m

Dimension of Packages :
width x height x length = 200 x 90 x 6500mm

Alusel – 39 Aluminum Polyurethane Filled Blinds Profile



Code : 10 Mahogany Wood

Aluminum Polyurethane Filled Profile
Ventilation with hole (AHO) – SL.039.XX.AHO

Aluminum Polyurethane Filled Profile –
Ventilation without hole (AWH) – SL.039.XX.AWH

Nominal Thickness: 8,9mm

Weight (m²/kg): 2,30 kgs

Recomended Maximum Width: 2300mm

Closing Surface : 39mm

Maximum Usage Area: 5,50 m²

Recomended Maximum Height : 2400mm

Standard Production Length: 6500mm

Number of Profiles at 1m Height : 25,641 (per piece)

Specifications of Packafes: 1 package :
60 piece x 6,50m = 390m

Dimension of Packages :
width x height x length = 200 x 90 x 6500mm

Alusel – 39 Aluminum Polyurethane Filled Blinds Profile



Code : 11 Open Beige

Aluminum Polyurethane Filled Profile
Ventilation with hole (AHO) – SL.039.XX.AHO

Aluminum Polyurethane Filled Profile –
Ventilation without hole (AWH) – SL.039.XX.AWH

Nominal Thickness: 8,9mm

Weight (m²/kg): 2,30 kgs

Recomended Maximum Width: 2300mm

Closing Surface : 39mm

Maximum Usage Area: 5,50 m²

Recomended Maximum Height : 2400mm

Standard Production Length: 6500mm

Number of Profiles at 1m Height : 25,641 (per piece)

Specifications of Packafes: 1 package :
60 piece x 6,50m = 390m

Dimension of Packages :
width x height x length = 200 x 90 x 6500mm

Alusel – 39 Aluminum Polyurethane Filled Blinds Profile



Code : 12 Algae Green

Aluminum Polyurethane Filled Profile
Ventilation with hole (AHO) – SL.039.XX.AHO

Aluminum Polyurethane Filled Profile –
Ventilation without hole (AWH) – SL.039.XX.AWH

Nominal Thickness: 8,9mm

Weight (m²/kg): 2,30 kgs

Recomended Maximum Width: 2300mm

Closing Surface : 39mm

Maximum Usage Area: 5,50 m²

Recomended Maximum Height : 2400mm

Standard Production Length: 6500mm

Number of Profiles at 1m Height : 25,641 (per piece)

Specifications of Packafes: 1 package :
60 piece x 6,50m = 390m

Dimension of Packages :
width x height x length = 200 x 90 x 6500mm

Alusel – 39 Aluminum Polyurethane Filled Blinds Profile



Code : 13 Ash Black

Aluminum Polyurethane Filled Profile
Ventilation with hole (AHO) – SL.039.XX.AHO

Aluminum Polyurethane Filled Profile –
Ventilation without hole (AWH) – SL.039.XX.AWH

Nominal Thickness: 8,9mm

Weight (m²/kg): 2,30 kgs

Recomended Maximum Width: 2300mm

Closing Surface : 39mm

Maximum Usage Area: 5,50 m²

Recomended Maximum Height : 2400mm

Standard Production Length: 6500mm

Number of Profiles at 1m Height : 25,641 (per piece)

Specifications of Packafes: 1 package :
60 piece x 6,50m = 390m

Dimension of Packages :
width x height x length = 200 x 90 x 6500mm

Alusel – 39 Aluminum Polyurethane Filled Blinds Profile



Code : 14 Chocolate Coffee

Aluminum Polyurethane Filled Profile
Ventilation with hole (AHO) – SL.039.XX.AHO

Aluminum Polyurethane Filled Profile –
Ventilation without hole (AWH) – SL.039.XX.AWH

Nominal Thickness: 8,9mm

Weight (m²/kg): 2,30 kgs

Recomended Maximum Width: 2300mm

Closing Surface : 39mm

Maximum Usage Area: 5,50 m²

Recomended Maximum Height : 2400mm

Standard Production Length: 6500mm

Number of Profiles at 1m Height : 25,641 (per piece)

Specifications of Packafes: 1 package :
60 piece x 6,50m = 390m

Dimension of Packages :
width x height x length = 200 x 90 x 6500mm

Alusel – 39 Aluminum Polyurethane Filled Blinds Profile



Code : 15 Off White

Aluminum Polyurethane Filled Profile
Ventilation with hole (AHO) – SL.039.XX.AHO

Aluminum Polyurethane Filled Profile –
Ventilation without hole (AWH) – SL.039.XX.AWH

Nominal Thickness: 8,9mm

Weight (m²/kg): 2,30 kgs

Recomended Maximum Width: 2300mm

Closing Surface : 39mm

Maximum Usage Area: 5,50 m²

Recomended Maximum Height : 2400mm

Standard Production Length: 6500mm

Number of Profiles at 1m Height : 25,641 (per piece)

Specifications of Packafes: 1 package :
60 piece x 6,50m = 390m

Dimension of Packages :
width x height x length = 200 x 90 x 6500mm

Alusel – 39 Aluminum Polyurethane Filled Blinds Profile



Code : 17 Golden Oak

Aluminum Polyurethane Filled Profile
Ventilation with hole (AHO) – SL.039.XX.AHO

Aluminum Polyurethane Filled Profile –
Ventilation without hole (AWH) – SL.039.XX.AWH

Nominal Thickness: 8,9mm

Weight (m2/kg): 2,30 kgs

Recomended Maximum Width: 2300mm

Closing Surface : 39mm

Maximum Usage Area: 5,50 m2

Recomended Maximum Height : 2400mm

Standard Production Length: 6500mm

Number of Profiles at 1m Height : 25,641 (per piece)

Specifications of Packafes: 1 package :
60 piece x 6,50m = 390m

Dimension of Packages :
width x height x length = 200 x 90 x 6500mm

Alusel – 39 Aluminum Polyurethane Filled Blinds Profile



Code : 19 Marble Maroon

Aluminum Polyurethane Filled Profile
Ventilation with hole (AHO) – SL.039.XX.AHO

Aluminum Polyurethane Filled Profile –
Ventilation without hole (AWH) – SL.039.XX.AWH

Nominal Thickness: 8,9mm

Weight (m²/kg): 2,30 kgs

Recomended Maximum Width: 2300mm

Closing Surface : 39mm

Maximum Usage Area: 5,50 m²

Recomended Maximum Height : 2400mm

Standard Production Length: 6500mm

Number of Profiles at 1m Height : 25,641 (per piece)

Specifications of Packafes: 1 package :
60 piece x 6,50m = 390m

Dimension of Packages :
width x height x length = 200 x 90 x 6500mm

Alusel – 39 Aluminum Polyurethane Filled Blinds Profile



Code : 22 Hazelnut Wood

Aluminum Polyurethane Filled Profile
Ventilation with hole (AHO) – SL.039.XX.AHO

Aluminum Polyurethane Filled Profile –
Ventilation without hole (AWH) – SL.039.XX.AWH

Nominal Thickness: 8,9mm

Weight (m²/kg): 2,30 kgs

Recomended Maximum Width: 2300mm

Closing Surface : 39mm

Maximum Usage Area: 5,50 m²

Recomended Maximum Height : 2400mm

Standard Production Length: 6500mm

Number of Profiles at 1m Height : 25,641 (per piece)

Specifications of Packafes: 1 package :
60 piece x 6,50m = 390m

Dimension of Packages :
width x height x length = 200 x 90 x 6500mm

Alusel – 39 Aluminum Polyurethane Filled Blinds Profile



Code : 24 Anthracite Gray

Aluminum Polyurethane Filled Profile
Ventilation with hole (AHO) – SL.039.XX.AHO

Aluminum Polyurethane Filled Profile –
Ventilation without hole (AWH) – SL.039.XX.AWH

Nominal Thickness: 8,9mm

Weight (m²/kg): 2,30 kgs

Recomended Maximum Width: 2300mm

Closing Surface : 39mm

Maximum Usage Area: 5,50 m²

Recomended Maximum Height : 2400mm

Standard Production Length: 6500mm

Number of Profiles at 1m Height : 25,641 (per piece)

Specifications of Packafes: 1 package :
60 piece x 6,50m = 390m

Dimension of Packages :
width x height x length = 200 x 90 x 6500mm

Alusel – 39 Aluminum Polyurethane Filled Blinds Profile



Code : 25 Walnut Wood

Aluminum Polyurethane Filled Profile
Ventilation with hole (AHO) – SL.039.XX.AHO

Aluminum Polyurethane Filled Profile –
Ventilation without hole (AWH) – SL.039.XX.AWH

Nominal Thickness: 8,9mm

Weight (m²/kg): 2,30 kgs

Recomended Maximum Width: 2300mm

Closing Surface : 39mm

Maximum Usage Area: 5,50 m²

Recomended Maximum Height : 2400mm

Standard Production Length: 6500mm

Number of Profiles at 1m Height : 25,641 (per piece)

Specifications of Packafes: 1 package :
60 piece x 6,50m = 390m

Dimension of Packages :
width x height x length = 200 x 90 x 6500mm

Alusel – 39 Aluminum Polyurethane Filled Blinds Profile



Code : 28 Earth Gray

Aluminum Polyurethane Filled Profile
Ventilation with hole (AHO) – SL.039.XX.AHO

Aluminum Polyurethane Filled Profile –
Ventilation without hole (AWH) – SL.039.XX.AWH

Nominal Thickness: 8,9mm

Weight (m2/kg): 2,30 kgs

Recomended Maximum Width: 2300mm

Closing Surface : 39mm

Maximum Usage Area: 5,50 m2

Recomended Maximum Height : 2400mm

Standard Production Length: 6500mm

Number of Profiles at 1m Height : 25,641 (per piece)

Specifications of Packafes: 1 package :
60 piece x 6,50m = 390m

Dimension of Packages :
width x height x length = 200 x 90 x 6500mm

Alusel – 39 Aluminum Polyurethane Filled Blinds Profile



Code : 32 Mink

Aluminum Polyurethane Filled Profile
Ventilation with hole (AHO) – SL.039.XX.AHO

Aluminum Polyurethane Filled Profile –
Ventilation without hole (AWH) – SL.039.XX.AWH

Nominal Thickness: 8,9mm

Weight (m²/kg): 2,30 kgs

Recomended Maximum Width: 2300mm

Closing Surface : 39mm

Maximum Usage Area: 5,50 m²

Recomended Maximum Height : 2400mm

Standard Production Length: 6500mm

Number of Profiles at 1m Height : 25,641 (per piece)

Specifications of Packafes: 1 package :
60 piece x 6,50m = 390m

Dimension of Packages :
width x height x length = 200 x 90 x 6500mm

Alusel – 39 Aluminum Polyurethane Filled Blinds Profile



Code : 44 Gray Brown

Aluminum Polyurethane Filled Profile
Ventilation with hole (AHO) – SL.039.XX.AHO

Aluminum Polyurethane Filled Profile –
Ventilation without hole (AWH) – SL.039.XX.AWH

Nominal Thickness: 8,9mm

Weight (m²/kg): 2,30 kgs

Recomended Maximum Width: 2300mm

Closing Surface : 39mm

Maximum Usage Area: 5,50 m²

Recomended Maximum Height : 2400mm

Standard Production Length: 6500mm

Number of Profiles at 1m Height : 25,641 (per piece)

Specifications of Packafes: 1 package :
60 piece x 6,50m = 390m

Dimension of Packages :
width x height x length = 200 x 90 x 6500mm

Alusel – 39 Aluminum Polyurethane Filled Blinds Profile



Code : 46 Metallic Dark Gray

Aluminum Polyurethane Filled Profile
Ventilation with hole (AHO) – SL.039.XX.AHO

Aluminum Polyurethane Filled Profile –
Ventilation without hole (AWH) – SL.039.XX.AWH

Nominal Thickness: 8,9mm

Weight (m²/kg): 2,30 kgs

Recomended Maximum Width: 2300mm

Closing Surface : 39mm

Maximum Usage Area: 5,50 m²

Recomended Maximum Height : 2400mm

Standard Production Length: 6500mm

Number of Profiles at 1m Height : 25,641 (per piece)

Specifications of Packafes: 1 package :
60 piece x 6,50m = 390m

Dimension of Packages :
width x height x length = 200 x 90 x 6500mm

Alusel – 39 Aluminum Polyurethane Filled Blinds Profile



Code : 47 Metallic Open Bronze (Champagne)

Aluminum Polyurethane Filled Profile
Ventilation with hole (AHO) – SL.039.XX.AHO

Aluminum Polyurethane Filled Profile –
Ventilation without hole (AWH) – SL.039.XX.AWH

Nominal Thickness: 8,9mm

Weight (m²/kg): 2,30 kgs

Recomended Maximum Width: 2300mm

Closing Surface : 39mm

Maximum Usage Area: 5,50 m²

Recomended Maximum Height : 2400mm

Standard Production Length: 6500mm

Number of Profiles at 1m Height : 25,641 (per piece)

Specifications of Packafes: 1 package :
60 piece x 6,50m = 390m

Dimension of Packages :
width x height x length = 200 x 90 x 6500mm

Alusel – 39 Aluminum Polyurethane Filled Blinds Profile



Code : Code : 48 Open Cream

Aluminum Polyurethane Filled Profile
Ventilation with hole (AHO) – SL.039.XX.AHO

Aluminum Polyurethane Filled Profile –
Ventilation without hole (AWH) – SL.039.XX.AWH

Nominal Thickness: 8,9mm

Weight (m2/kg): 2,30 kgs

Recomended Maximum Width: 2300mm

Closing Surface : 39mm

Maximum Usage Area: 5,50 m2

Recomended Maximum Height : 2400mm

Standard Production Length: 6500mm

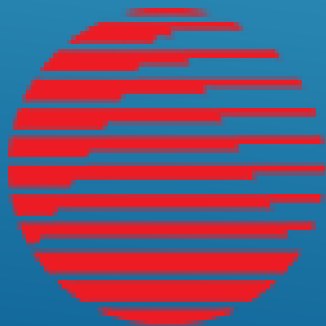
Number of Profiles at 1m Height : 25,641 (per piece)

Specifications of Packafes: 1 package :
60 piece x 6,50m = 390m

Dimension of Packages :
width x height x length = 200 x 90 x 6500mm



41 Aluminum Polyurethane Filled Blinds Profile



Alusel – 41 Aluminum Polyurethane Filled Blinds Profile



Code : 01 White

Aluminum Polyurethane Filled Profile
Ventilation with hole (AHO) – SL.041.XX.AHO

Aluminum Polyurethane Filled Profile –
Ventilation without hole (AWH) – SL.041.XX.AWH

Nominal Thickness: 8,5 mm

Weight (m²/kg): 2,60 kgs

Recomended Maximum Width: 2800mm

Closing Surface : 41mm

Maximum Usage Area: 7 m²

Recomended Maximum Height : 2700mm

Standard Production Length: 6500mm

Number of Profiles at 1m Height : 24,390 (per piece)

Specifications of Packafes: 1 package :
60 piece x 6,50m = 390m

Dimension of Packages :
width x height x length = 210 x 90 x 6500mm

Alusel – 41 Aluminum Polyurethane Filled Blinds Profile



Code : 02 Gray

Aluminum Polyurethane Filled Profile
Ventilation with hole (AHO) – SL.041.XX.AHO

Aluminum Polyurethane Filled Profile –
Ventilation without hole (AWH) – SL.041.XX.AWH

Nominal Thickness: 8,5 mm

Weight (m²/kg): 2,60 kgs

Recomended Maximum Width: 2800mm

Closing Surface : 41mm

Maximum Usage Area: 7 m²

Recomended Maximum Height : 2700mm

Standard Production Length: 6500mm

Number of Profiles at 1m Height : 24,390 (per piece)

Specifications of Packafes: 1 package :
60 piece x 6,50m = 390m

Dimension of Packages :
width x height x length = 210 x 90 x 6500mm

Alusel – 41 Aluminum Polyurethane Filled Blinds Profile



Code : 03 Brown

Aluminum Polyurethane Filled Profile
Ventilation with hole (AHO) – SL.041.XX.AHO

Aluminum Polyurethane Filled Profile –
Ventilation without hole (AWH) – SL.041.XX.AWH

Nominal Thickness: 8,5 mm

Weight (m²/kg): 2,60 kgs

Recomended Maximum Width: 2800mm

Closing Surface : 41mm

Maximum Usage Area: 7 m²

Recomended Maximum Height : 2700mm

Standard Production Length: 6500mm

Number of Profiles at 1m Height : 24,390 (per piece)

Specifications of Packafes: 1 package :
60 piece x 6,50m = 390m

Dimension of Packages :
width x height x length = 210 x 90 x 6500mm

Alusel – 41 Aluminum Polyurethane Filled Blinds Profile



Code : 04 Metallic Gray

Aluminum Polyurethane Filled Profile
Ventilation with hole (AHO) – SL.041.XX.AHO

Aluminum Polyurethane Filled Profile –
Ventilation without hole (AWH) – SL.041.XX.AWH

Nominal Thickness: 8,5 mm

Weight (m²/kg): 2,60 kgs

Recomended Maximum Width: 2800mm

Closing Surface : 41mm

Maximum Usage Area: 7 m²

Recomended Maximum Height : 2700mm

Standard Production Length: 6500mm

Number of Profiles at 1m Height : 24,390 (per piece)

Specifications of Packafes: 1 package :
60 piece x 6,50m = 390m

Dimension of Packages :
width x height x length = 210 x 90 x 6500mm

Alusel – 41 Aluminum Polyurethane Filled Blinds Profile



Code : 06 Dark Wood

Aluminum Polyurethane Filled Profile
Ventilation with hole (AHO) – SL.041.XX.AHO

Aluminum Polyurethane Filled Profile –
Ventilation without hole (AWH) – SL.041.XX.AWH

Nominal Thickness: 8,5 mm

Weight (m²/kg): 2,60 kgs

Recomended Maximum Width: 2800mm

Closing Surface : 41mm

Maximum Usage Area: 7 m²

Recomended Maximum Height : 2700mm

Standard Production Length: 6500mm

Number of Profiles at 1m Height : 24,390 (per piece)

Specifications of Packafes: 1 package :
60 piece x 6,50m = 390m

Dimension of Packages :
width x height x length = 210 x 90 x 6500mm

Alusel – 41 Aluminum Polyurethane Filled Blinds Profile



Code : 07 Metallic Bronze

Aluminum Polyurethane Filled Profile
Ventilation with hole (AHO) – SL.041.XX.AHO

Aluminum Polyurethane Filled Profile –
Ventilation without hole (AWH) – SL.041.XX.AWH

Nominal Thickness: 8,5 mm

Weight (m²/kg): 2,60 kgs

Recomended Maximum Width: 2800mm

Closing Surface : 41mm

Maximum Usage Area: 7 m²

Recomended Maximum Height : 2700mm

Standard Production Length: 6500mm

Number of Profiles at 1m Height : 24,390 (per piece)

Specifications of Packafes: 1 package :
60 piece x 6,50m = 390m

Dimension of Packages :
width x height x length = 210 x 90 x 6500mm

Alusel – 41 Aluminum Polyurethane Filled Blinds Profile



Code : 08 Cream

Aluminum Polyurethane Filled Profile
Ventilation with hole (AHO) – SL.041.XX.AHO

Aluminum Polyurethane Filled Profile –
Ventilation without hole (AWH) – SL.041.XX.AWH

Nominal Thickness: 8,5 mm

Weight (m²/kg): 2,60 kgs

Recomended Maximum Width: 2800mm

Closing Surface : 41mm

Maximum Usage Area: 7 m²

Recomended Maximum Height : 2700mm

Standard Production Length: 6500mm

Number of Profiles at 1m Height : 24,390 (per piece)

Specifications of Packafes: 1 package :
60 piece x 6,50m = 390m

Dimension of Packages :
width x height x length = 210 x 90 x 6500mm

Alusel – 41 Aluminum Polyurethane Filled Blinds Profile



Code : 09 Dark Beige

Aluminum Polyurethane Filled Profile
Ventilation with hole (AHO) – SL.041.XX.AHO

Aluminum Polyurethane Filled Profile –
Ventilation without hole (AWH) – SL.041.XX.AWH

Nominal Thickness: 8,5 mm

Weight (m²/kg): 2,60 kgs

Recomended Maximum Width: 2800mm

Closing Surface : 41mm

Maximum Usage Area: 7 m²

Recomended Maximum Height : 2700mm

Standard Production Length: 6500mm

Number of Profiles at 1m Height : 24,390 (per piece)

Specifications of Packafes: 1 package :
60 piece x 6,50m = 390m

Dimension of Packages :
width x height x length = 210 x 90 x 6500mm

Alusel – 41 Aluminum Polyurethane Filled Blinds Profile



Code : 11 Open Beige

Aluminum Polyurethane Filled Profile
Ventilation with hole (AHO) – SL.041.XX.AHO

Aluminum Polyurethane Filled Profile –
Ventilation without hole (AWH) – SL.041.XX.AWH

Nominal Thickness: 8,5 mm

Weight (m²/kg): 2,60 kgs

Recomended Maximum Width: 2800mm

Closing Surface : 41mm

Maximum Usage Area: 7 m²

Recomended Maximum Height : 2700mm

Standard Production Length: 6500mm

Number of Profiles at 1m Height : 24,390 (per piece)

Specifications of Packafes: 1 package :
60 piece x 6,50m = 390m

Dimension of Packages :
width x height x length = 210 x 90 x 6500mm

Alusel – 41 Aluminum Polyurethane Filled Blinds Profile



Code : 12 Algae Green

Aluminum Polyurethane Filled Profile
Ventilation with hole (AHO) – SL.041.XX.AHO

Aluminum Polyurethane Filled Profile –
Ventilation without hole (AWH) – SL.041.XX.AWH

Nominal Thickness: 8,5 mm

Weight (m²/kg): 2,60 kgs

Recomended Maximum Width: 2800mm

Closing Surface : 41mm

Maximum Usage Area: 7 m²

Recomended Maximum Height : 2700mm

Standard Production Length: 6500mm

Number of Profiles at 1m Height : 24,390 (per piece)

Specifications of Packafes: 1 package :
60 piece x 6,50m = 390m

Dimension of Packages :
width x height x length = 210 x 90 x 6500mm

Alusel – 41 Aluminum Polyurethane Filled Blinds Profile



Code : 13 Ash Black

Aluminum Polyurethane Filled Profile
Ventilation with hole (AHO) – SL.041.XX.AHO

Aluminum Polyurethane Filled Profile –
Ventilation without hole (AWH) – SL.041.XX.AWH

Nominal Thickness: 8,5 mm

Weight (m²/kg): 2,60 kgs

Recomended Maximum Width: 2800mm

Closing Surface : 41mm

Maximum Usage Area: 7 m²

Recomended Maximum Height : 2700mm

Standard Production Length: 6500mm

Number of Profiles at 1m Height : 24,390 (per piece)

Specifications of Packafes: 1 package :
60 piece x 6,50m = 390m

Dimension of Packages :
width x height x length = 210 x 90 x 6500mm

Alusel – 41 Aluminum Polyurethane Filled Blinds Profile



Code : 15 Off White

Aluminum Polyurethane Filled Profile
Ventilation with hole (AHO) – SL.041.XX.AHO

Aluminum Polyurethane Filled Profile –
Ventilation without hole (AWH) – SL.041.XX.AWH

Nominal Thickness: 8,5 mm

Weight (m²/kg): 2,60 kgs

Recomended Maximum Width: 2800mm

Closing Surface : 41mm

Maximum Usage Area: 7 m²

Recomended Maximum Height : 2700mm

Standard Production Length: 6500mm

Number of Profiles at 1m Height : 24,390 (per piece)

Specifications of Packafes: 1 package :
60 piece x 6,50m = 390m

Dimension of Packages :
width x height x length = 210 x 90 x 6500mm

Alusel – 41 Aluminum Polyurethane Filled Blinds Profile



Code : 17 Golden Oak

Aluminum Polyurethane Filled Profile
Ventilation with hole (AHO) – SL.041.XX.AHO

Aluminum Polyurethane Filled Profile –
Ventilation without hole (AWH) – SL.041.XX.AWH

Nominal Thickness: 8,5 mm

Weight (m²/kg): 2,60 kgs

Recomended Maximum Width: 2800mm

Closing Surface : 41mm

Maximum Usage Area: 7 m²

Recomended Maximum Height : 2700mm

Standard Production Length: 6500mm

Number of Profiles at 1m Height : 24,390 (per piece)

Specifications of Packafes: 1 package :
60 piece x 6,50m = 390m

Dimension of Packages :
width x height x length = 210 x 90 x 6500mm

Alusel – 41 Aluminum Polyurethane Filled Blinds Profile



Code : 22 Hazelnut Wood

Aluminum Polyurethane Filled Profile
Ventilation with hole (AHO) – SL.041.XX.AHO

Aluminum Polyurethane Filled Profile –
Ventilation without hole (AWH) – SL.041.XX.AWH

Nominal Thickness: 8,5 mm

Weight (m²/kg): 2,60 kgs

Recomended Maximum Width: 2800mm

Closing Surface : 41mm

Maximum Usage Area: 7 m²

Recomended Maximum Height : 2700mm

Standard Production Length: 6500mm

Number of Profiles at 1m Height : 24,390 (per piece)

Specifications of Packafes: 1 package :
60 piece x 6,50m = 390m

Dimension of Packages :
width x height x length = 210 x 90 x 6500mm

Alusel – 41 Aluminum Polyurethane Filled Blinds Profile



Code : 24 Anthracite Gray

Aluminum Polyurethane Filled Profile
Ventilation with hole (AHO) – SL.041.XX.AHO

Aluminum Polyurethane Filled Profile –
Ventilation without hole (AWH) – SL.041.XX.AWH

Nominal Thickness: 8,5 mm

Weight (m²/kg): 2,60 kgs

Recomended Maximum Width: 2800mm

Closing Surface : 41mm

Maximum Usage Area: 7 m²

Recomended Maximum Height : 2700mm

Standard Production Length: 6500mm

Number of Profiles at 1m Height : 24,390 (per piece)

Specifications of Packafes: 1 package :
60 piece x 6,50m = 390m

Dimension of Packages :
width x height x length = 210 x 90 x 6500mm

Alusel – 41 Aluminum Polyurethane Filled Blinds Profile



Code : 25 Walnut Wood

Aluminum Polyurethane Filled Profile
Ventilation with hole (AHO) – SL.041.XX.AHO

Aluminum Polyurethane Filled Profile –
Ventilation without hole (AWH) – SL.041.XX.AWH

Nominal Thickness: 8,5 mm

Weight (m²/kg): 2,60 kgs

Recomended Maximum Width: 2800mm

Closing Surface : 41mm

Maximum Usage Area: 7 m²

Recomended Maximum Height : 2700mm

Standard Production Length: 6500mm

Number of Profiles at 1m Height : 24,390 (per piece)

Specifications of Packafes: 1 package :
60 piece x 6,50m = 390m

Dimension of Packages :
width x height x length = 210 x 90 x 6500mm

Alusel – 41 Aluminum Polyurethane Filled Blinds Profile



Code : 32 Mink

Aluminum Polyurethane Filled Profile
Ventilation with hole (AHO) – SL.041.XX.AHO

Aluminum Polyurethane Filled Profile –
Ventilation without hole (AWH) – SL.041.XX.AWH

Nominal Thickness: 8,5 mm

Weight (m²/kg): 2,60 kgs

Recomended Maximum Width: 2800mm

Closing Surface : 41mm

Maximum Usage Area: 7 m²

Recomended Maximum Height : 2700mm

Standard Production Length: 6500mm

Number of Profiles at 1m Height : 24,390 (per piece)

Specifications of Packafes: 1 package :
60 piece x 6,50m = 390m

Dimension of Packages :
width x height x length = 210 x 90 x 6500mm

Alusel – 41 Aluminum Polyurethane Filled Blinds Profile



Code : 46 Metallic Dark Gray

Aluminum Polyurethane Filled Profile
Ventilation with hole (AHO) – SL.041.XX.AHO

Aluminum Polyurethane Filled Profile –
Ventilation without hole (AWH) – SL.041.XX.AWH

Nominal Thickness: 8,5 mm

Weight (m²/kg): 2,60 kgs

Recomended Maximum Width: 2800mm

Closing Surface : 41mm

Maximum Usage Area: 7 m²

Recomended Maximum Height : 2700mm

Standard Production Length: 6500mm

Number of Profiles at 1m Height : 24,390 (per piece)

Specifications of Packafes: 1 package :
60 piece x 6,50m = 390m

Dimension of Packages :
width x height x length = 210 x 90 x 6500mm

Alusel – 41 Aluminum Polyurethane Filled Blinds Profile



Code : 48 Open Cream

Aluminum Polyurethane Filled Profile
Ventilation with hole (AHO) – SL.041.XX.AHO

Aluminum Polyurethane Filled Profile –
Ventilation without hole (AWH) – SL.041.XX.AWH

Nominal Thickness: 8,5 mm

Weight (m²/kg): 2,60 kgs

Recomended Maximum Width: 2800mm

Closing Surface : 41mm

Maximum Usage Area: 7 m²

Recomended Maximum Height : 2700mm

Standard Production Length: 6500mm

Number of Profiles at 1m Height : 24,390 (per piece)

Specifications of Packafes: 1 package :
60 piece x 6,50m = 390m

Dimension of Packages :
width x height x length = 210 x 90 x 6500mm

Alusel – 41 Aluminum Polyurethane Filled Blinds Profile



Code : 47 Metallic Open Bronze (Champagne)

Aluminum Polyurethane Filled Profile
Ventilation with hole (AHO) – SL.041.XX.AHO

Aluminum Polyurethane Filled Profile –
Ventilation without hole (AWH) – SL.041.XX.AWH

Nominal Thickness: 8,5 mm

Weight (m²/kg): 2,60 kgs

Recomended Maximum Width: 2800mm

Closing Surface : 41mm

Maximum Usage Area: 7 m²

Recomended Maximum Height : 2700mm

Standard Production Length: 6500mm

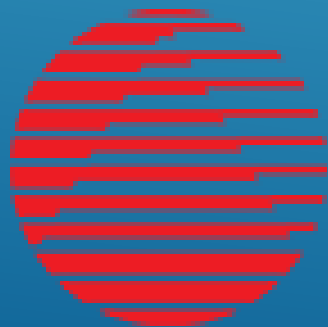
Number of Profiles at 1m Height : 24,390 (per piece)

Specifications of Packafes: 1 package :
60 piece x 6,50m = 390m

Dimension of Packages :
width x height x length = 210 x 90 x 6500mm



45 Aluminum Polyurethane Filled Blinds Profile



Alusel – 45 Aluminum Polyurethane Filled Blinds Profile



Code : 01 White

Aluminum Polyurethane Filled Profile
Ventilation with hole (AHO) – SL.045.XX.AHO

Aluminum Polyurethane Filled Profile –
Ventilation without hole (AWH) – SL.045.XX.AWH

Nominal Thickness: 8 mm

Weight (m²/kg): 2,45 kgs

Recommended Maximum Width: 2700mm

Closing Surface : 44 mm

Maximum Usage Area: 7 m²

Recommended Maximum Height : 2600mm

Standard Production Length: 6500mm

Number of Profiles at 1m Height : 27,727 (per piece)

Specifications of Packages: 1 package :
60 piece x 6,50m = 390m

Dimension of Packages :
width x height x length = 230 x 90 x 6500mm

Alusel – 45 Aluminum Polyurethane Filled Blinds Profile



Code : 02 Gray

Aluminum Polyurethane Filled Profile
Ventilation with hole (AHO) – SL.045.XX.AHO

Aluminum Polyurethane Filled Profile –
Ventilation without hole (AWH) – SL.045.XX.AWH

Nominal Thickness: 8 mm

Weight (m²/kg): 2,45 kgs

Recommended Maximum Width: 2700mm

Closing Surface : 44 mm

Maximum Usage Area: 7 m²

Recommended Maximum Height : 2600mm

Standard Production Length: 6500mm

Number of Profiles at 1m Height : 27,727 (per piece)

Specifications of Packafes: 1 package :
60 piece x 6,50m = 390m

Dimension of Packages :
width x height x length = 230 x 90 x 6500mm

Alusel – 45 Aluminum Polyurethane Filled Blinds Profile



Code : 03 Brown

Aluminum Polyurethane Filled Profile
Ventilation with hole (AHO) – SL.045.XX.AHO

Aluminum Polyurethane Filled Profile –
Ventilation without hole (AWH) – SL.045.XX.AWH

Nominal Thickness: 8 mm

Weight (m²/kg): 2,45 kgs

Recomended Maximum Width: 2700mm

Closing Surface : 44 mm

Maximum Usage Area: 7 m²

Recomended Maximum Height : 2600mm

Standard Production Length: 6500mm

Number of Profiles at 1m Height : 27,727 (per piece)

Specifications of Packafes: 1 package :
60 piece x 6,50m = 390m

Dimension of Packages :
width x height x length = 230 x 90 x 6500mm

Alusel – 45 Aluminum Polyurethane Filled Blinds Profile



Code : 04 Metallic Gray

Aluminum Polyurethane Filled Profile
Ventilation with hole (AHO) – SL.045.XX.AHO

Aluminum Polyurethane Filled Profile –
Ventilation without hole (AWH) – SL.045.XX.AWH

Nominal Thickness: 8 mm

Weight (m²/kg): 2,45 kgs

Recomended Maximum Width: 2700mm

Closing Surface : 44 mm

Maximum Usage Area: 7 m²

Recomended Maximum Height : 2600mm

Standard Production Length: 6500mm

Number of Profiles at 1m Height : 27,727 (per piece)

Specifications of Packafes: 1 package :
60 piece x 6,50m = 390m

Dimension of Packages :
width x height x length = 230 x 90 x 6500mm

Alusel – 45 Aluminum Polyurethane Filled Blinds Profile



Code : 06 Dark Wood

Aluminum Polyurethane Filled Profile
Ventilation with hole (AHO) – SL.045.XX.AHO

Aluminum Polyurethane Filled Profile –
Ventilation without hole (AWH) – SL.045.XX.AWH

Nominal Thickness: 8 mm

Weight (m²/kg): 2,45 kgs

Recomended Maximum Width: 2700mm

Closing Surface : 44 mm

Maximum Usage Area: 7 m²

Recomended Maximum Height : 2600mm

Standard Production Length: 6500mm

Number of Profiles at 1m Height : 27,727 (per piece)

Specifications of Packafes: 1 package :
60 piece x 6,50m = 390m

Dimension of Packages :
width x height x length = 230 x 90 x 6500mm

Alusel – 45 Aluminum Polyurethane Filled Blinds Profile



Code : 07 Metallic Bronze

Aluminum Polyurethane Filled Profile
Ventilation with hole (AHO) – SL.045.XX.AHO

Aluminum Polyurethane Filled Profile –
Ventilation without hole (AWH) – SL.045.XX.AWH

Nominal Thickness: 8 mm

Weight (m²/kg): 2,45 kgs

Recomended Maximum Width: 2700mm

Closing Surface : 44 mm

Maximum Usage Area: 7 m²

Recomended Maximum Height : 2600mm

Standard Production Length: 6500mm

Number of Profiles at 1m Height : 27,727 (per piece)

Specifications of Packafes: 1 package :
60 piece x 6,50m = 390m

Dimension of Packages :
width x height x length = 230 x 90 x 6500mm

Alusel – 45 Aluminum Polyurethane Filled Blinds Profile



Code : 08 Cream

Aluminum Polyurethane Filled Profile
Ventilation with hole (AHO) – SL.045.XX.AHO

Aluminum Polyurethane Filled Profile –
Ventilation without hole (AWH) – SL.045.XX.AWH

Nominal Thickness: 8 mm

Weight (m²/kg): 2,45 kgs

Recomended Maximum Width: 2700mm

Closing Surface : 44 mm

Maximum Usage Area: 7 m²

Recomended Maximum Height : 2600mm

Standard Production Length: 6500mm

Number of Profiles at 1m Height : 27,727 (per piece)

Specifications of Packafes: 1 package :
60 piece x 6,50m = 390m

Dimension of Packages :
width x height x length = 230 x 90 x 6500mm

Alusel – 45 Aluminum Polyurethane Filled Blinds Profile



Code : 09 Dark Beige

Aluminum Polyurethane Filled Profile
Ventilation with hole (AHO) – SL.045.XX.AHO

Aluminum Polyurethane Filled Profile –
Ventilation without hole (AWH) – SL.045.XX.AWH

Nominal Thickness: 8 mm

Weight (m²/kg): 2,45 kgs

Recomended Maximum Width: 2700mm

Closing Surface : 44 mm

Maximum Usage Area: 7 m²

Recomended Maximum Height : 2600mm

Standard Production Length: 6500mm

Number of Profiles at 1m Height : 27,727 (per piece)

Specifications of Packafes: 1 package :
60 piece x 6,50m = 390m

Dimension of Packages :
width x height x length = 230 x 90 x 6500mm

Alusel – 45 Aluminum Polyurethane Filled Blinds Profile



Code : 11 Open Beige

Aluminum Polyurethane Filled Profile
Ventilation with hole (AHO) – SL.045.XX.AHO

Aluminum Polyurethane Filled Profile –
Ventilation without hole (AWH) – SL.045.XX.AWH

Nominal Thickness: 8 mm

Weight (m²/kg): 2,45 kgs

Recomended Maximum Width: 2700mm

Closing Surface : 44 mm

Maximum Usage Area: 7 m²

Recomended Maximum Height : 2600mm

Standard Production Length: 6500mm

Number of Profiles at 1m Height : 27,727 (per piece)

Specifications of Packafes: 1 package :
60 piece x 6,50m = 390m

Dimension of Packages :
width x height x length = 230 x 90 x 6500mm

Alusel – 45 Aluminum Polyurethane Filled Blinds Profile



Code : 12 Algae Green

Aluminum Polyurethane Filled Profile
Ventilation with hole (AHO) – SL.045.XX.AHO

Aluminum Polyurethane Filled Profile –
Ventilation without hole (AWH) – SL.045.XX.AWH

Nominal Thickness: 8 mm

Weight (m²/kg): 2,45 kgs

Recomended Maximum Width: 2700mm

Closing Surface : 44 mm

Maximum Usage Area: 7 m²

Recomended Maximum Height : 2600mm

Standard Production Length: 6500mm

Number of Profiles at 1m Height : 27,727 (per piece)

Specifications of Packafes: 1 package :
60 piece x 6,50m = 390m

Dimension of Packages :
width x height x length = 230 x 90 x 6500mm

Alusel – 45 Aluminum Polyurethane Filled Blinds Profile



Code : 13 Ash Black

Aluminum Polyurethane Filled Profile
Ventilation with hole (AHO) – SL.045.XX.AHO

Aluminum Polyurethane Filled Profile –
Ventilation without hole (AWH) – SL.045.XX.AWH

Nominal Thickness: 8 mm

Weight (m²/kg): 2,45 kgs

Recomended Maximum Width: 2700mm

Closing Surface : 44 mm

Maximum Usage Area: 7 m²

Recomended Maximum Height : 2600mm

Standard Production Length: 6500mm

Number of Profiles at 1m Height : 27,727 (per piece)

Specifications of Packafes: 1 package :
60 piece x 6,50m = 390m

Dimension of Packages :
width x height x length = 230 x 90 x 6500mm

Alusel – 45 Aluminum Polyurethane Filled Blinds Profile



Code : 15 Off White

Aluminum Polyurethane Filled Profile
Ventilation with hole (AHO) – SL.045.XX.AHO

Aluminum Polyurethane Filled Profile –
Ventilation without hole (AWH) – SL.045.XX.AWH

Nominal Thickness: 8 mm

Weight (m²/kg): 2,45 kgs

Recomended Maximum Width: 2700mm

Closing Surface : 44 mm

Maximum Usage Area: 7 m²

Recomended Maximum Height : 2600mm

Standard Production Length: 6500mm

Number of Profiles at 1m Height : 27,727 (per piece)

Specifications of Packafes: 1 package :
60 piece x 6,50m = 390m

Dimension of Packages :
width x height x length = 230 x 90 x 6500mm

Alusel – 45 Aluminum Polyurethane Filled Blinds Profile



Code : 17 Golden Oak

Aluminum Polyurethane Filled Profile
Ventilation with hole (AHO) – SL.045.XX.AHO

Aluminum Polyurethane Filled Profile –
Ventilation without hole (AWH) – SL.045.XX.AWH

Nominal Thickness: 8 mm

Weight (m²/kg): 2,45 kgs

Recommended Maximum Width: 2700mm

Closing Surface : 44 mm

Maximum Usage Area: 7 m²

Recommended Maximum Height : 2600mm

Standard Production Length: 6500mm

Number of Profiles at 1m Height : 27,727 (per piece)

Specifications of Packages: 1 package :
60 piece x 6,50m = 390m

Dimension of Packages :
width x height x length = 230 x 90 x 6500mm

Alusel – 45 Aluminum Polyurethane Filled Blinds Profile



Code : 22 Hazelnut Wood

Aluminum Polyurethane Filled Profile
Ventilation with hole (AHO) – SL.045.XX.AHO

Aluminum Polyurethane Filled Profile –
Ventilation without hole (AWH) – SL.045.XX.AWH

Nominal Thickness: 8 mm

Weight (m²/kg): 2,45 kgs

Recommended Maximum Width: 2700mm

Closing Surface : 44 mm

Maximum Usage Area: 7 m²

Recommended Maximum Height : 2600mm

Standard Production Length: 6500mm

Number of Profiles at 1m Height : 27,727 (per piece)

Specifications of Packages: 1 package :
60 piece x 6,50m = 390m

Dimension of Packages :
width x height x length = 230 x 90 x 6500mm

Alusel – 45 Aluminum Polyurethane Filled Blinds Profile



Code : 24 Anthracite Gray

Aluminum Polyurethane Filled Profile
Ventilation with hole (AHO) – SL.045.XX.AHO

Aluminum Polyurethane Filled Profile –
Ventilation without hole (AWH) – SL.045.XX.AWH

Nominal Thickness: 8 mm

Weight (m²/kg): 2,45 kgs

Recomended Maximum Width: 2700mm

Closing Surface : 44 mm

Maximum Usage Area: 7 m²

Recomended Maximum Height : 2600mm

Standard Production Length: 6500mm

Number of Profiles at 1m Height : 27,727 (per piece)

Specifications of Packafes: 1 package :
60 piece x 6,50m = 390m

Dimension of Packages :
width x height x length = 230 x 90 x 6500mm

Alusel – 45 Aluminum Polyurethane Filled Blinds Profile



Code : 25 Walnut Wood

Aluminum Polyurethane Filled Profile
Ventilation with hole (AHO) – SL.045.XX.AHO

Aluminum Polyurethane Filled Profile –
Ventilation without hole (AWH) – SL.045.XX.AWH

Nominal Thickness: 8 mm

Weight (m²/kg): 2,45 kgs

Recomended Maximum Width: 2700mm

Closing Surface : 44 mm

Maximum Usage Area: 7 m²

Recomended Maximum Height : 2600mm

Standard Production Length: 6500mm

Number of Profiles at 1m Height : 27,727 (per piece)

Specifications of Packafes: 1 package :
60 piece x 6,50m = 390m

Dimension of Packages :
width x height x length = 230 x 90 x 6500mm

Alusel – 45 Aluminum Polyurethane Filled Blinds Profile



Code : 28 Earth Gray

Aluminum Polyurethane Filled Profile
Ventilation with hole (AHO) – SL.045.XX.AHO

Aluminum Polyurethane Filled Profile –
Ventilation without hole (AWH) – SL.045.XX.AWH

Nominal Thickness: 8 mm

Weight (m²/kg): 2,45 kgs

Recommended Maximum Width: 2700mm

Closing Surface : 44 mm

Maximum Usage Area: 7 m²

Recommended Maximum Height : 2600mm

Standard Production Length: 6500mm

Number of Profiles at 1m Height : 27,727 (per piece)

Specifications of Packages: 1 package :
60 piece x 6,50m = 390m

Dimension of Packages :
width x height x length = 230 x 90 x 6500mm

Alusel – 45 Aluminum Polyurethane Filled Blinds Profile



Code : 32 Mink

Aluminum Polyurethane Filled Profile
Ventilation with hole (AHO) – SL.045.XX.AHO

Aluminum Polyurethane Filled Profile –
Ventilation without hole (AWH) – SL.045.XX.AWH

Nominal Thickness: 8 mm

Weight (m²/kg): 2,45 kgs

Recommended Maximum Width: 2700mm

Closing Surface : 44 mm

Maximum Usage Area: 7 m²

Recommended Maximum Height : 2600mm

Standard Production Length: 6500mm

Number of Profiles at 1m Height : 27,727 (per piece)

Specifications of Packages: 1 package :
60 piece x 6,50m = 390m

Dimension of Packages :
width x height x length = 230 x 90 x 6500mm

Alusel – 45 Aluminum Polyurethane Filled Blinds Profile



Code : 46 Metallic Dark Gray

Aluminum Polyurethane Filled Profile
Ventilation with hole (AHO) – SL.045.XX.AHO

Aluminum Polyurethane Filled Profile –
Ventilation without hole (AWH) – SL.045.XX.AWH

Nominal Thickness: 8 mm

Weight (m²/kg): 2,45 kgs

Recommended Maximum Width: 2700mm

Closing Surface : 44 mm

Maximum Usage Area: 7 m²

Recommended Maximum Height : 2600mm

Standard Production Length: 6500mm

Number of Profiles at 1m Height : 27,727 (per piece)

Specifications of Packages: 1 package :
60 piece x 6,50m = 390m

Dimension of Packages :
width x height x length = 230 x 90 x 6500mm

Alusel – 45 Aluminum Polyurethane Filled Blinds Profile



Code : 47 Metallic Open Bronze (Champagne)

Aluminum Polyurethane Filled Profile
Ventilation with hole (AHO) – SL.045.XX.AHO

Aluminum Polyurethane Filled Profile –
Ventilation without hole (AWH) – SL.045.XX.AWH

Nominal Thickness: 8 mm

Weight (m²/kg): 2,45 kgs

Recommended Maximum Width: 2700mm

Closing Surface : 44 mm

Maximum Usage Area: 7 m²

Recommended Maximum Height : 2600mm

Standard Production Length: 6500mm

Number of Profiles at 1m Height : 27,727 (per piece)

Specifications of Packages: 1 package :
60 piece x 6,50m = 390m

Dimension of Packages :
width x height x length = 230 x 90 x 6500mm

Alusel – 45 Aluminum Polyurethane Filled Blinds Profile



Code : 48 Open Cream

Aluminum Polyurethane Filled Profile
Ventilation with hole (AHO) – SL.045.XX.AHO
Aluminum Polyurethane Filled Profile –
Ventilation without hole (AWH) – SL.045.XX.AWH

Nominal Thickness: 8 mm

Weight (m²/kg): 2,45 kgs

Recomended Maximum Width: 2700mm

Closing Surface : 44 mm

Maximum Usage Area: 7 m²

Recomended Maximum Height : 2600mm

Standard Production Length: 6500mm

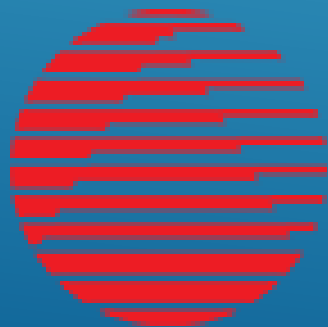
Number of Profiles at 1m Height : 27,727 (per piece)

Specifications of Packafes: 1 package :
60 piece x 6,50m = 390m

Dimension of Packages :
width x height x length = 230 x 90 x 6500mm



55 Aluminum Polyurethane Filled Blinds Profile



Alusel – 55 Aluminum Polyurethane Filled Blinds Profile



Code : 01 White

Aluminum Polyurethane Filled Profile
Ventilation with hole (AHO) – SL.055.XX.AHO

Aluminum Polyurethane Filled Profile –
Ventilation without hole (AWH) – SL.055.XX.AWH

Nominal Thickness: 13,5 mm

Weight (m²/kg): 2,50 kgs

Recomended Maximum Width: 3200mm

Closing Surface : 55 mm

Maximum Usage Area: 10 m²

Recomended Maximum Height : 3100mm

Standard Production Length: 6500mm

Number of Profiles at 1m Height : 17,857 (per piece)

Specifications of Packafes: 1 package :
30 piece x 6,50m = 195 m

Dimension of Packages :
width x height x length = 170 x 90 x 6500mm

Alusel – 55 Aluminum Polyurethane Filled Blinds Profile



Code : 02 Gray

Aluminum Polyurethane Filled Profile
Ventilation with hole (AHO) – SL.055.XX.AHO

Aluminum Polyurethane Filled Profile –
Ventilation without hole (AWH) – SL.055.XX.AWH

Nominal Thickness: 13,5 mm

Weight (m²/kg): 2,50 kgs

Recomended Maximum Width: 3200mm

Closing Surface : 55 mm

Maximum Usage Area: 10 m²

Recomended Maximum Height : 3100mm

Standard Production Length: 6500mm

Number of Profiles at 1m Height : 17,857 (per piece)

Specifications of Packafes: 1 package :
30 piece x 6,50m = 195 m

Dimension of Packages :
width x height x length = 170 x 90 x 6500mm

Alusel – 55 Aluminum Polyurethane Filled Blinds Profile



Code : 03 Brown

Aluminum Polyurethane Filled Profile
Ventilation with hole (AHO) – SL.055.XX.AHO

Aluminum Polyurethane Filled Profile –
Ventilation without hole (AWH) – SL.055.XX.AWH

Nominal Thickness: 13,5 mm

Weight (m²/kg): 2,50 kgs

Recomended Maximum Width: 3200mm

Closing Surface : 55 mm

Maximum Usage Area: 10 m²

Recomended Maximum Height : 3100mm

Standard Production Length: 6500mm

Number of Profiles at 1m Height : 17,857 (per piece)

Specifications of Packafes: 1 package :
30 piece x 6,50m = 195 m

Dimension of Packages :
width x height x length = 170 x 90 x 6500mm

Alusel – 55 Aluminum Polyurethane Filled Blinds Profile



Code : 04 Metallic Gray

Aluminum Polyurethane Filled Profile
Ventilation with hole (AHO) – SL.055.XX.AHO

Aluminum Polyurethane Filled Profile –
Ventilation without hole (AWH) – SL.055.XX.AWH

Nominal Thickness: 13,5 mm

Weight (m²/kg): 2,50 kgs

Recomended Maximum Width: 3200mm

Closing Surface : 55 mm

Maximum Usage Area: 10 m²

Recomended Maximum Height : 3100mm

Standard Production Length: 6500mm

Number of Profiles at 1m Height : 17,857 (per piece)

Specifications of Packafes: 1 package :
30 piece x 6,50m = 195 m

Dimension of Packages :
width x height x length = 170 x 90 x 6500mm

Alusel – 55 Aluminum Polyurethane Filled Blinds Profile



Code : 06 Dark Wood

Aluminum Polyurethane Filled Profile
Ventilation with hole (AHO) – SL.055.XX.AHO

Aluminum Polyurethane Filled Profile –
Ventilation without hole (AWH) – SL.055.XX.AWH

Nominal Thickness: 13,5 mm

Weight (m²/kg): 2,50 kgs

Recomended Maximum Width: 3200mm

Closing Surface : 55 mm

Maximum Usage Area: 10 m²

Recomended Maximum Height : 3100mm

Standard Production Length: 6500mm

Number of Profiles at 1m Height : 17,857 (per piece)

Specifications of Packafes: 1 package :
30 piece x 6,50m = 195 m

Dimension of Packages :
width x height x length = 170 x 90 x 6500mm

Alusel – 55 Aluminum Polyurethane Filled Blinds Profile



Code : 07 Metallic Bronze

Aluminum Polyurethane Filled Profile
Ventilation with hole (AHO) – SL.055.XX.AHO

Aluminum Polyurethane Filled Profile –
Ventilation without hole (AWH) – SL.055.XX.AWH

Nominal Thickness: 13,5 mm

Weight (m²/kg): 2,50 kgs

Recomended Maximum Width: 3200mm

Closing Surface : 55 mm

Maximum Usage Area: 10 m²

Recomended Maximum Height : 3100mm

Standard Production Length: 6500mm

Number of Profiles at 1m Height : 17,857 (per piece)

Specifications of Packafes: 1 package :
30 piece x 6,50m = 195 m

Dimension of Packages :
width x height x length = 170 x 90 x 6500mm

Alusel – 55 Aluminum Polyurethane Filled Blinds Profile



Code : 08 Cream

Aluminum Polyurethane Filled Profile
Ventilation with hole (AHO) – SL.055.XX.AHO

Aluminum Polyurethane Filled Profile –
Ventilation without hole (AWH) – SL.055.XX.AWH

Nominal Thickness: 13,5 mm

Weight (m²/kg): 2,50 kgs

Recomended Maximum Width: 3200mm

Closing Surface : 55 mm

Maximum Usage Area: 10 m²

Recomended Maximum Height : 3100mm

Standard Production Length: 6500mm

Number of Profiles at 1m Height : 17,857 (per piece)

Specifications of Packafes: 1 package :
30 piece x 6,50m = 195 m

Dimension of Packages :
width x height x length = 170 x 90 x 6500mm

Alusel – 55 Aluminum Polyurethane Filled Blinds Profile



Code : 09 Dark Beige

Aluminum Polyurethane Filled Profile
Ventilation with hole (AHO) – SL.055.XX.AHO

Aluminum Polyurethane Filled Profile –
Ventilation without hole (AWH) – SL.055.XX.AWH

Nominal Thickness: 13,5 mm

Weight (m²/kg): 2,50 kgs

Recomended Maximum Width: 3200mm

Closing Surface : 55 mm

Maximum Usage Area: 10 m²

Recomended Maximum Height : 3100mm

Standard Production Length: 6500mm

Number of Profiles at 1m Height : 17,857 (per piece)

Specifications of Packafes: 1 package :
30 piece x 6,50m = 195 m

Dimension of Packages :
width x height x length = 170 x 90 x 6500mm

Alusel – 55 Aluminum Polyurethane Filled Blinds Profile



Code : 10 Mahogany Wood

Aluminum Polyurethane Filled Profile
Ventilation with hole (AHO) – SL.055.XX.AHO

Aluminum Polyurethane Filled Profile –
Ventilation without hole (AWH) – SL.055.XX.AWH

Nominal Thickness: 13,5 mm

Weight (m²/kg): 2,50 kgs

Recomended Maximum Width: 3200mm

Closing Surface : 55 mm

Maximum Usage Area: 10 m²

Recomended Maximum Height : 3100mm

Standard Production Length: 6500mm

Number of Profiles at 1m Height : 17,857 (per piece)

Specifications of Packafes: 1 package :
30 piece x 6,50m = 195 m

Dimension of Packages :
width x height x length = 170 x 90 x 6500mm

Alusel – 55 Aluminum Polyurethane Filled Blinds Profile



Code : 11 Open Beige

Aluminum Polyurethane Filled Profile
Ventilation with hole (AHO) – SL.055.XX.AHO

Aluminum Polyurethane Filled Profile –
Ventilation without hole (AWH) – SL.055.XX.AWH

Nominal Thickness: 13,5 mm

Weight (m²/kg): 2,50 kgs

Recomended Maximum Width: 3200mm

Closing Surface : 55 mm

Maximum Usage Area: 10 m²

Recomended Maximum Height : 3100mm

Standard Production Length: 6500mm

Number of Profiles at 1m Height : 17,857 (per piece)

Specifications of Packafes: 1 package :
30 piece x 6,50m = 195 m

Dimension of Packages :
width x height x length = 170 x 90 x 6500mm

Alusel – 55 Aluminum Polyurethane Filled Blinds Profile



Code :12 Algae Green

Aluminum Polyurethane Filled Profile
Ventilation with hole (AHO) – SL.055.XX.AHO

Aluminum Polyurethane Filled Profile –
Ventilation without hole (AWH) – SL.055.XX.AWH

Nominal Thickness: 13,5 mm

Weight (m²/kg): 2,50 kgs

Recomended Maximum Width: 3200mm

Closing Surface : 55 mm

Maximum Usage Area: 10 m²

Recomended Maximum Height : 3100mm

Standard Production Length: 6500mm

Number of Profiles at 1m Height :17,857 (per piece)

Specifications of Packafes: 1 package :
30 piece x 6,50m = 195 m

Dimension of Packages :
width x height x length = 170 x 90 x 6500mm

Alusel – 55 Aluminum Polyurethane Filled Blinds Profile



Code :13 Ash Black

Aluminum Polyurethane Filled Profile
Ventilation with hole (AHO) – SL.055.XX.AHO

Aluminum Polyurethane Filled Profile –
Ventilation without hole (AWH) – SL.055.XX.AWH

Nominal Thickness: 13,5 mm

Weight (m²/kg): 2,50 kgs

Recomended Maximum Width: 3200mm

Closing Surface : 55 mm

Maximum Usage Area: 10 m²

Recomended Maximum Height : 3100mm

Standard Production Length: 6500mm

Number of Profiles at 1m Height :17,857 (per piece)

Specifications of Packafes: 1 package :
30 piece x 6,50m = 195 m

Dimension of Packages :
width x height x length = 170 x 90 x 6500mm

Alusel – 55 Aluminum Polyurethane Filled Blinds Profile



Code : 15 Off White

Aluminum Polyurethane Filled Profile
Ventilation with hole (AHO) – SL.055.XX.AHO

Aluminum Polyurethane Filled Profile –
Ventilation without hole (AWH) – SL.055.XX.AWH

Nominal Thickness: 13,5 mm

Weight (m²/kg): 2,50 kgs

Recomended Maximum Width: 3200mm

Closing Surface : 55 mm

Maximum Usage Area: 10 m²

Recomended Maximum Height : 3100mm

Standard Production Length: 6500mm

Number of Profiles at 1m Height : 17,857 (per piece)

Specifications of Packafes: 1 package :
30 piece x 6,50m = 195 m

Dimension of Packages :
width x height x length = 170 x 90 x 6500mm

Alusel – 55 Aluminum Polyurethane Filled Blinds Profile



Code :17 Golden Oak

Aluminum Polyurethane Filled Profile
Ventilation with hole (AHO) – SL.055.XX.AHO

Aluminum Polyurethane Filled Profile –
Ventilation without hole (AWH) – SL.055.XX.AWH

Nominal Thickness: 13,5 mm

Weight (m2/kg): 2,50 kgs

Recomended Maximum Width: 3200mm

Closing Surface : 55 mm

Maximum Usage Area: 10 m2

Recomended Maximum Height : 3100mm

Standard Production Length: 6500mm

Number of Profiles at 1m Height :17,857 (per piece)

Specifications of Packafes: 1 package :
30 piece x 6,50m = 195 m

Dimension of Packages :
width x height x length = 170 x 90 x 6500mm

Alusel – 55 Aluminum Polyurethane Filled Blinds Profile



Code :22 Hazelnut Wood

Aluminum Polyurethane Filled Profile
Ventilation with hole (AHO) – SL.055.XX.AHO

Aluminum Polyurethane Filled Profile –
Ventilation without hole (AWH) – SL.055.XX.AWH

Nominal Thickness: 13,5 mm

Weight (m²/kg): 2,50 kgs

Recomended Maximum Width: 3200mm

Closing Surface : 55 mm

Maximum Usage Area: 10 m²

Recomended Maximum Height : 3100mm

Standard Production Length: 6500mm

Number of Profiles at 1m Height :17,857 (per piece)

Specifications of Packafes: 1 package :
30 piece x 6,50m = 195 m

Dimension of Packages :
width x height x length = 170 x 90 x 6500mm

Alusel – 55 Aluminum Polyurethane Filled Blinds Profile



Code :24 Anthracite Gray

Aluminum Polyurethane Filled Profile
Ventilation with hole (AHO) – SL.055.XX.AHO

Aluminum Polyurethane Filled Profile –
Ventilation without hole (AWH) – SL.055.XX.AWH

Nominal Thickness: 13,5 mm

Weight (m2/kg): 2,50 kgs

Recomended Maximum Width: 3200mm

Closing Surface : 55 mm

Maximum Usage Area: 10 m2

Recomended Maximum Height : 3100mm

Standard Production Length: 6500mm

Number of Profiles at 1m Height :17,857 (per piece)

Specifications of Packafes: 1 package :
30 piece x 6,50m = 195 m

Dimension of Packages :
width x height x length = 170 x 90 x 6500mm

Alusel – 55 Aluminum Polyurethane Filled Blinds Profile



Code :25 Walnut Wood

Aluminum Polyurethane Filled Profile
Ventilation with hole (AHO) – SL.055.XX.AHO

Aluminum Polyurethane Filled Profile –
Ventilation without hole (AWH) – SL.055.XX.AWH

Nominal Thickness: 13,5 mm

Weight (m²/kg): 2,50 kgs

Recomended Maximum Width: 3200mm

Closing Surface : 55 mm

Maximum Usage Area: 10 m²

Recomended Maximum Height : 3100mm

Standard Production Length: 6500mm

Number of Profiles at 1m Height :17,857 (per piece)

Specifications of Packafes: 1 package :
30 piece x 6,50m = 195 m

Dimension of Packages :
width x height x length = 170 x 90 x 6500mm

Alusel – 55 Aluminum Polyurethane Filled Blinds Profile



Code : 28 Earth Gray

Aluminum Polyurethane Filled Profile
Ventilation with hole (AHO) – SL.055.XX.AHO

Aluminum Polyurethane Filled Profile –
Ventilation without hole (AWH) – SL.055.XX.AWH

Nominal Thickness: 13,5 mm

Weight (m²/kg): 2,50 kgs

Recomended Maximum Width: 3200mm

Closing Surface : 55 mm

Maximum Usage Area: 10 m²

Recomended Maximum Height : 3100mm

Standard Production Length: 6500mm

Number of Profiles at 1m Height : 17,857 (per piece)

Specifications of Packafes: 1 package :
30 piece x 6,50m = 195 m

Dimension of Packages :
width x height x length = 170 x 90 x 6500mm

Alusel – 55 Aluminum Polyurethane Filled Blinds Profile



Code : 32 Mink

Aluminum Polyurethane Filled Profile
Ventilation with hole (AHO) – SL.055.XX.AHO

Aluminum Polyurethane Filled Profile –
Ventilation without hole (AWH) – SL.055.XX.AWH

Nominal Thickness: 13,5 mm

Weight (m²/kg): 2,50 kgs

Recomended Maximum Width: 3200mm

Closing Surface : 55 mm

Maximum Usage Area: 10 m²

Recomended Maximum Height : 3100mm

Standard Production Length: 6500mm

Number of Profiles at 1m Height : 17,857 (per piece)

Specifications of Packafes: 1 package :
30 piece x 6,50m = 195 m

Dimension of Packages :
width x height x length = 170 x 90 x 6500mm

Alusel – 55 Aluminum Polyurethane Filled Blinds Profile



Code : 44 Gray Brown

Aluminum Polyurethane Filled Profile
Ventilation with hole (AHO) – SL.055.XX.AHO

Aluminum Polyurethane Filled Profile –
Ventilation without hole (AWH) – SL.055.XX.AWH

Nominal Thickness: 13,5 mm

Weight (m²/kg): 2,50 kgs

Recomended Maximum Width: 3200mm

Closing Surface : 55 mm

Maximum Usage Area: 10 m²

Recomended Maximum Height : 3100mm

Standard Production Length: 6500mm

Number of Profiles at 1m Height :17,857 (per piece)

Specifications of Packafes: 1 package :
30 piece x 6,50m = 195 m

Dimension of Packages :
width x height x length = 170 x 90 x 6500mm

Alusel – 55 Aluminum Polyurethane Filled Blinds Profile



Code : 45 Silvery Dark Beige

Aluminum Polyurethane Filled Profile
Ventilation with hole (AHO) – SL.055.XX.AHO

Aluminum Polyurethane Filled Profile –
Ventilation without hole (AWH) – SL.055.XX.AWH

Nominal Thickness: 13,5 mm

Weight (m²/kg): 2,50 kgs

Recomended Maximum Width: 3200mm

Closing Surface : 55 mm

Maximum Usage Area: 10 m²

Recomended Maximum Height : 3100mm

Standard Production Length: 6500mm

Number of Profiles at 1m Height : 17,857 (per piece)

Specifications of Packafes: 1 package :
30 piece x 6,50m = 195 m

Dimension of Packages :
width x height x length = 170 x 90 x 6500mm

Alusel – 55 Aluminum Polyurethane Filled Blinds Profile



Code : 46 Metallic Dark Gray

Aluminum Polyurethane Filled Profile
Ventilation with hole (AHO) – SL.055.XX.AHO

Aluminum Polyurethane Filled Profile –
Ventilation without hole (AWH) – SL.055.XX.AWH

Nominal Thickness: 13,5 mm

Weight (m²/kg): 2,50 kgs

Recomended Maximum Width: 3200mm

Closing Surface : 55 mm

Maximum Usage Area: 10 m²

Recomended Maximum Height : 3100mm

Standard Production Length: 6500mm

Number of Profiles at 1m Height : 17,857 (per piece)

Specifications of Packafes: 1 package :
30 piece x 6,50m = 195 m

Dimension of Packages :
width x height x length = 170 x 90 x 6500mm

Alusel – 55 Aluminum Polyurethane Filled Blinds Profile



Code : 47 Metallic Open Bronze (Champagne)

Aluminum Polyurethane Filled Profile
Ventilation with hole (AHO) – SL.055.XX.AHO

Aluminum Polyurethane Filled Profile –
Ventilation without hole (AWH) – SL.055.XX.AWH

Nominal Thickness: 13,5 mm

Weight (m²/kg): 2,50 kgs

Recomended Maximum Width: 3200mm

Closing Surface : 55 mm

Maximum Usage Area: 10 m²

Recomended Maximum Height : 3100mm

Standard Production Length: 6500mm

Number of Profiles at 1m Height : 17,857 (per piece)

Specifications of Packafes: 1 package :
30 piece x 6,50m = 195 m

Dimension of Packages :
width x height x length = 170 x 90 x 6500mm

Alusel – 55 Aluminum Polyurethane Filled Blinds Profile



Code : 48 Open Cream

Aluminum Polyurethane Filled Profile
Ventilation with hole (AHO) – SL.055.XX.AHO

Aluminum Polyurethane Filled Profile –
Ventilation without hole (AWH) – SL.055.XX.AWH

Nominal Thickness: 13,5 mm

Weight (m²/kg): 2,50 kgs

Recomended Maximum Width: 3200mm

Closing Surface : 55 mm

Maximum Usage Area: 10 m²

Recomended Maximum Height : 3100mm

Standard Production Length: 6500mm

Number of Profiles at 1m Height : 17,857 (per piece)

Specifications of Packafes: 1 package :
30 piece x 6,50m = 195 m

Dimension of Packages :
width x height x length = 170 x 90 x 6500mm

Alusel – 55 Aluminum Polyurethane Filled Blinds Profile



Code : 71 Aegean Blue

Aluminum Polyurethane Filled Profile
Ventilation with hole (AHO) – SL.055.XX.AHO

Aluminum Polyurethane Filled Profile –
Ventilation without hole (AWH) – SL.055.XX.AWH

Nominal Thickness: 13,5 mm

Weight (m²/kg): 2,50 kgs

Recomended Maximum Width: 3200mm

Closing Surface : 55 mm

Maximum Usage Area: 10 m²

Recomended Maximum Height : 3100mm

Standard Production Length: 6500mm

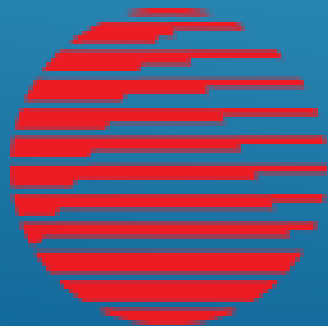
Number of Profiles at 1m Height :17,857 (per piece)

Specifications of Packafes: 1 package :
30 piece x 6,50m = 195 m

Dimension of Packages :
width x height x length = 170 x 90 x 6500mm



56 Plus Aluminum Polyurethane Filled Blinds Profile



Alusel – 56 Plus Aluminum Polyurethane Filled Blinds Profile



Code : 01 White

Aluminum Polyurethane Filled Profile
Ventilation with hole (AHO) – SL.056.XX.AHO

Aluminum Polyurethane Filled Profile –
Ventilation without hole (AWH) – SL.056.XX.AWH

Nominal Thickness: 12,3 mm

Weight (m²/kg): 2,80 kgs

Recomended Maximum Width: 3700mm

Closing Surface : 56 mm

Maximum Usage Area: 12 m²

Recomended Maximum Height : 3350 mm

Standard Production Length: 6500 mm

Number of Profiles at 1m Height : 17,857 (per piece)

Specifications of Packafes: 1 package :
30 piece x 6,50m = 195 m

Dimension of Packages :
width x height x length = 170 x 90 x 6500mm

Alusel – 56 Plus Aluminum Polyurethane Filled Blinds Profile



Code : 02 Gray

Aluminum Polyurethane Filled Profile
Ventilation with hole (AHO) – SL.056.XX.AHO

Aluminum Polyurethane Filled Profile –
Ventilation without hole (AWH) – SL.056.XX.AWH

Nominal Thickness: 12,3 mm

Weight (m²/kg): 2,80 kgs

Recomended Maximum Width: 3700mm

Closing Surface : 56 mm

Maximum Usage Area: 12 m²

Recomended Maximum Height : 3350 mm

Standard Production Length: 6500 mm

Number of Profiles at 1m Height : 17,857 (per piece)

Specifications of Packafes: 1 package :
30 piece x 6,50m = 195 m

Dimension of Packages :
width x height x length = 170 x 90 x 6500mm

Alusel – 56 Plus Aluminum Polyurethane Filled Blinds Profile



Code : 03 Brown

Aluminum Polyurethane Filled Profile
Ventilation with hole (AHO) – SL.056.XX.AHO

Aluminum Polyurethane Filled Profile –
Ventilation without hole (AWH) – SL.056.XX.AWH

Nominal Thickness: 12,3 mm

Weight (m²/kg): 2,80 kgs

Recomended Maximum Width: 3700mm

Closing Surface : 56 mm

Maximum Usage Area: 12 m²

Recomended Maximum Height : 3350 mm

Standard Production Length: 6500 mm

Number of Profiles at 1m Height : 17,857 (per piece)

Specifications of Packafes: 1 package :
30 piece x 6,50m = 195 m

Dimension of Packages :
width x height x length = 170 x 90 x 6500mm

Alusel – 56 Plus Aluminum Polyurethane Filled Blinds Profile



Code : 04 Metallic Gray

Aluminum Polyurethane Filled Profile
Ventilation with hole (AHO) – SL.056.XX.AHO

Aluminum Polyurethane Filled Profile –
Ventilation without hole (AWH) – SL.056.XX.AWH

Nominal Thickness: 12,3 mm

Weight (m²/kg): 2,80 kgs

Recomended Maximum Width: 3700mm

Closing Surface : 56 mm

Maximum Usage Area: 12 m²

Recomended Maximum Height : 3350 mm

Standard Production Length: 6500 mm

Number of Profiles at 1m Height : 17,857 (per piece)

Specifications of Packafes: 1 package :
30 piece x 6,50m = 195 m

Dimension of Packages :
width x height x length = 170 x 90 x 6500mm

Alusel – 56 Plus Aluminum Polyurethane Filled Blinds Profile



Code : 05 Wood

Aluminum Polyurethane Filled Profile
Ventilation with hole (AHO) – SL.056.XX.AHO

Aluminum Polyurethane Filled Profile –
Ventilation without hole (AWH) – SL.056.XX.AWH

Nominal Thickness: 12,3 mm

Weight (m²/kg): 2,80 kgs

Recomended Maximum Width: 3700mm

Closing Surface : 56 mm

Maximum Usage Area: 12 m²

Recomended Maximum Height : 3350 mm

Standard Production Length: 6500 mm

Number of Profiles at 1m Height : 17,857 (per piece)

Specifications of Packafes: 1 package :
30 piece x 6,50m = 195 m

Dimension of Packages :
width x height x length = 170 x 90 x 6500mm

Alusel – 56 Plus Aluminum Polyurethane Filled Blinds Profile



Code : 06 Dark Wood

Aluminum Polyurethane Filled Profile
Ventilation with hole (AHO) – SL.056.XX.AHO

Aluminum Polyurethane Filled Profile –
Ventilation without hole (AWH) – SL.056.XX.AWH

Nominal Thickness: 12,3 mm

Weight (m²/kg): 2,80 kgs

Recomended Maximum Width: 3700mm

Closing Surface : 56 mm

Maximum Usage Area: 12 m²

Recomended Maximum Height : 3350 mm

Standard Production Length: 6500 mm

Number of Profiles at 1m Height : 17,857 (per piece)

Specifications of Packafes: 1 package :
30 piece x 6,50m = 195 m

Dimension of Packages :
width x height x length = 170 x 90 x 6500mm

Alusel – 56 Plus Aluminum Polyurethane Filled Blinds Profile

Aluminum Polyurethane Filled Profile
Ventilation with hole (AHO) – SL.056.XX.AHO
Aluminum Polyurethane Filled Profile –
Ventilation without hole (AWH) – SL.056.XX.AWH

Nominal Thickness: 12,3 mm
Weight (m²/kg): 2,80 kgs
Recomended Maximum Width: 3700mm

Closing Surface : 56 mm

Maximum Usage Area: 12 m²

Recomended Maximum Height : 3350 mm

Standard Production Length: 6500 mm

Number of Profiles at 1m Height : 17,857 (per piece)

Specifications of Packafes: 1 package :
30 piece x 6,50m = 195 m

Dimension of Packages :
width x height x length = 170 x 90 x 6500mm



Code : 07 Metallic Bronze

Alusel – 56 Plus Aluminum Polyurethane Filled Blinds Profile



Code : 08 Cream

Aluminum Polyurethane Filled Profile
Ventilation with hole (AHO) – SL.056.XX.AHO

Aluminum Polyurethane Filled Profile –
Ventilation without hole (AWH) – SL.056.XX.AWH

Nominal Thickness: 12,3 mm

Weight (m²/kg): 2,80 kgs

Recomended Maximum Width: 3700mm

Closing Surface : 56 mm

Maximum Usage Area: 12 m²

Recomended Maximum Height : 3350 mm

Standard Production Length: 6500 mm

Number of Profiles at 1m Height : 17,857 (per piece)

Specifications of Packafes: 1 package :
30 piece x 6,50m = 195 m

Dimension of Packages :
width x height x length = 170 x 90 x 6500mm

Alusel – 56 Plus Aluminum Polyurethane Filled Blinds Profile



Code : 09 Dark Beige

Aluminum Polyurethane Filled Profile
Ventilation with hole (AHO) – SL.056.XX.AHO

Aluminum Polyurethane Filled Profile –
Ventilation without hole (AWH) – SL.056.XX.AWH

Nominal Thickness: 12,3 mm

Weight (m²/kg): 2,80 kgs

Recomended Maximum Width: 3700mm

Closing Surface : 56 mm

Maximum Usage Area: 12 m²

Recomended Maximum Height : 3350 mm

Standard Production Length: 6500 mm

Number of Profiles at 1m Height : 17,857 (per piece)

Specifications of Packafes: 1 package :
30 piece x 6,50m = 195 m

Dimension of Packages :
width x height x length = 170 x 90 x 6500mm

Alusel – 56 Plus Aluminum Polyurethane Filled Blinds Profile

Aluminum Polyurethane Filled Profile
Ventilation with hole (AHO) – SL.056.XX.AHO
Aluminum Polyurethane Filled Profile –
Ventilation without hole (AWH) – SL.056.XX.AWH

Nominal Thickness: 12,3 mm
Weight (m²/kg): 2,80 kgs
Recomended Maximum Width: 3700mm

Closing Surface : 56 mm

Maximum Usage Area: 12 m²

Recomended Maximum Height : 3350 mm

Standard Production Length: 6500 mm

Number of Profiles at 1m Height : 17,857 (per piece)

Specifications of Packafes: 1 package :
30 piece x 6,50m = 195 m

Dimension of Packages :
width x height x length = 170 x 90 x 6500mm



Code : 10 Mahogany Wood

Alusel – 56 Plus Aluminum Polyurethane Filled Blinds Profile



Code : 11 Open Beige

Aluminum Polyurethane Filled Profile
Ventilation with hole (AHO) – SL.056.XX.AHO

Aluminum Polyurethane Filled Profile –
Ventilation without hole (AWH) – SL.056.XX.AWH

Nominal Thickness: 12,3 mm

Weight (m²/kg): 2,80 kgs

Recomended Maximum Width: 3700mm

Closing Surface : 56 mm

Maximum Usage Area: 12 m²

Recomended Maximum Height : 3350 mm

Standard Production Length: 6500 mm

Number of Profiles at 1m Height : 17,857 (per piece)

Specifications of Packafes: 1 package :
30 piece x 6,50m = 195 m

Dimension of Packages :
width x height x length = 170 x 90 x 6500mm

Alusel – 56 Plus Aluminum Polyurethane Filled Blinds Profile



Code : 12 Algae Green

Aluminum Polyurethane Filled Profile
Ventilation with hole (AHO) – SL.056.XX.AHO

Aluminum Polyurethane Filled Profile –
Ventilation without hole (AWH) – SL.056.XX.AWH

Nominal Thickness: 12,3 mm

Weight (m²/kg): 2,80 kgs

Recomended Maximum Width: 3700mm

Closing Surface : 56 mm

Maximum Usage Area: 12 m²

Recomended Maximum Height : 3350 mm

Standard Production Length: 6500 mm

Number of Profiles at 1m Height : 17,857 (per piece)

Specifications of Packafes: 1 package :
30 piece x 6,50m = 195 m

Dimension of Packages :
width x height x length = 170 x 90 x 6500mm

Alusel – 56 Plus Aluminum Polyurethane Filled Blinds Profile



Code : 15 Off White

Aluminum Polyurethane Filled Profile
Ventilation with hole (AHO) – SL.056.XX.AHO

Aluminum Polyurethane Filled Profile –
Ventilation without hole (AWH) – SL.056.XX.AWH

Nominal Thickness: 12,3 mm

Weight (m²/kg): 2,80 kgs

Recomended Maximum Width: 3700mm

Closing Surface : 56 mm

Maximum Usage Area: 12 m²

Recomended Maximum Height : 3350 mm

Standard Production Length: 6500 mm

Number of Profiles at 1m Height : 17,857 (per piece)

Specifications of Packafes: 1 package :
30 piece x 6,50m = 195 m

Dimension of Packages :
width x height x length = 170 x 90 x 6500mm

Alusel – 56 Plus Aluminum Polyurethane Filled Blinds Profile



Code : 17 Golden Oak

Aluminum Polyurethane Filled Profile
Ventilation with hole (AHO) – SL.056.XX.AHO

Aluminum Polyurethane Filled Profile –
Ventilation without hole (AWH) – SL.056.XX.AWH

Nominal Thickness: 12,3 mm

Weight (m²/kg): 2,80 kgs

Recomended Maximum Width: 3700mm

Closing Surface : 56 mm

Maximum Usage Area: 12 m²

Recomended Maximum Height : 3350 mm

Standard Production Length: 6500 mm

Number of Profiles at 1m Height : 17,857 (per piece)

Specifications of Packafes: 1 package :
30 piece x 6,50m = 195 m

Dimension of Packages :
width x height x length = 170 x 90 x 6500mm

Alusel – 56 Plus Aluminum Polyurethane Filled Blinds Profile



Code :22 Hazelnut Wood

Aluminum Polyurethane Filled Profile
Ventilation with hole (AHO) – SL.056.XX.AHO

Aluminum Polyurethane Filled Profile –
Ventilation without hole (AWH) – SL.056.XX.AWH

Nominal Thickness: 12,3 mm

Weight (m²/kg): 2,80 kgs

Recomended Maximum Width: 3700mm

Closing Surface : 56 mm

Maximum Usage Area: 12 m²

Recomended Maximum Height : 3350 mm

Standard Production Length: 6500 mm

Number of Profiles at 1m Height :17,857 (per piece)

Specifications of Packafes: 1 package :
30 piece x 6,50m = 195 m

Dimension of Packages :
width x height x length = 170 x 90 x 6500mm

Alusel – 56 Plus Aluminum Polyurethane Filled Blinds Profile



Code : 24 Anthracite Gray

Aluminum Polyurethane Filled Profile
Ventilation with hole (AHO) – SL.056.XX.AHO

Aluminum Polyurethane Filled Profile –
Ventilation without hole (AWH) – SL.056.XX.AWH

Nominal Thickness: 12,3 mm

Weight (m²/kg): 2,80 kgs

Recomended Maximum Width: 3700mm

Closing Surface : 56 mm

Maximum Usage Area: 12 m²

Recomended Maximum Height : 3350 mm

Standard Production Length: 6500 mm

Number of Profiles at 1m Height : 17,857 (per piece)

Specifications of Packafes: 1 package :
30 piece x 6,50m = 195 m

Dimension of Packages :
width x height x length = 170 x 90 x 6500mm

Alusel – 56 Plus Aluminum Polyurethane Filled Blinds Profile



Code : 25 Walnut Wood

Aluminum Polyurethane Filled Profile
Ventilation with hole (AHO) – SL.056.XX.AHO

Aluminum Polyurethane Filled Profile –
Ventilation without hole (AWH) – SL.056.XX.AWH

Nominal Thickness: 12,3 mm

Weight (m2/kg): 2,80 kgs

Recomended Maximum Width: 3700mm

Closing Surface : 56 mm

Maximum Usage Area: 12 m2

Recomended Maximum Height : 3350 mm

Standard Production Length: 6500 mm

Number of Profiles at 1m Height : 17,857 (per piece)

Specifications of Packafes: 1 package :
30 piece x 6,50m = 195 m

Dimension of Packages :
width x height x length = 170 x 90 x 6500mm

Alusel – 56 Plus Aluminum Polyurethane Filled Blinds Profile



Code : 28 Earth Gray

Aluminum Polyurethane Filled Profile
Ventilation with hole (AHO) – SL.056.XX.AHO

Aluminum Polyurethane Filled Profile –
Ventilation without hole (AWH) – SL.056.XX.AWH

Nominal Thickness: 12,3 mm

Weight (m²/kg): 2,80 kgs

Recomended Maximum Width: 3700mm

Closing Surface : 56 mm

Maximum Usage Area: 12 m²

Recomended Maximum Height : 3350 mm

Standard Production Length: 6500 mm

Number of Profiles at 1m Height : 17,857 (per piece)

Specifications of Packafes: 1 package :
30 piece x 6,50m = 195 m

Dimension of Packages :
width x height x length = 170 x 90 x 6500mm

Alusel – 56 Plus Aluminum Polyurethane Filled Blinds Profile



Code : 32 Mink

Aluminum Polyurethane Filled Profile
Ventilation with hole (AHO) – SL.056.XX.AHO

Aluminum Polyurethane Filled Profile –
Ventilation without hole (AWH) – SL.056.XX.AWH

Nominal Thickness: 12,3 mm

Weight (m²/kg): 2,80 kgs

Recomended Maximum Width: 3700mm

Closing Surface : 56 mm

Maximum Usage Area: 12 m²

Recomended Maximum Height : 3350 mm

Standard Production Length: 6500 mm

Number of Profiles at 1m Height : 17,857 (per piece)

Specifications of Packafes: 1 package :
30 piece x 6,50m = 195 m

Dimension of Packages :
width x height x length = 170 x 90 x 6500mm

Alusel – 56 Plus Aluminum Polyurethane Filled Blinds Profile



Code : 44 Gray Brown

Aluminum Polyurethane Filled Profile
Ventilation with hole (AHO) – SL.056.XX.AHO

Aluminum Polyurethane Filled Profile –
Ventilation without hole (AWH) – SL.056.XX.AWH

Nominal Thickness: 12,3 mm

Weight (m²/kg): 2,80 kgs

Recomended Maximum Width: 3700mm

Closing Surface : 56 mm

Maximum Usage Area: 12 m²

Recomended Maximum Height : 3350 mm

Standard Production Length: 6500 mm

Number of Profiles at 1m Height : 17,857 (per piece)

Specifications of Packafes: 1 package :
30 piece x 6,50m = 195 m

Dimension of Packages :
width x height x length = 170 x 90 x 6500mm

Alusel – 56 Plus Aluminum Polyurethane Filled Blinds Profile



Code : 45 Silvery Dark Beige

Aluminum Polyurethane Filled Profile
Ventilation with hole (AHO) – SL.056.XX.AHO

Aluminum Polyurethane Filled Profile –
Ventilation without hole (AWH) – SL.056.XX.AWH

Nominal Thickness: 12,3 mm

Weight (m²/kg): 2,80 kgs

Recomended Maximum Width: 3700mm

Closing Surface : 56 mm

Maximum Usage Area: 12 m²

Recomended Maximum Height : 3350 mm

Standard Production Length: 6500 mm

Number of Profiles at 1m Height : 17,857 (per piece)

Specifications of Packafes: 1 package :
30 piece x 6,50m = 195 m

Dimension of Packages :
width x height x length = 170 x 90 x 6500mm

Alusel – 56 Plus Aluminum Polyurethane Filled Blinds Profile

Aluminum Polyurethane Filled Profile
Ventilation with hole (AHO) – SL.056.XX.AHO
Aluminum Polyurethane Filled Profile –
Ventilation without hole (AWH) – SL.056.XX.AWH

Nominal Thickness: 12,3 mm

Weight (m²/kg): 2,80 kgs

Recomended Maximum Width: 3700mm

Closing Surface : 56 mm

Maximum Usage Area: 12 m²

Recomended Maximum Height : 3350 mm

Standard Production Length: 6500 mm

Number of Profiles at 1m Height : 17,857 (per piece)

Specifications of Packafes: 1 package :
30 piece x 6,50m = 195 m

Dimension of Packages :
width x height x length = 170 x 90 x 6500mm



Code : 46 Metallic Dark Gray

Alusel – 56 Plus Aluminum Polyurethane Filled Blinds Profile



Code : 47 Metallic Open Bronze (Champagne)

Aluminum Polyurethane Filled Profile
Ventilation with hole (AHO) – SL.056.XX.AHO

Aluminum Polyurethane Filled Profile –
Ventilation without hole (AWH) – SL.056.XX.AWH

Nominal Thickness: 12,3 mm

Weight (m²/kg): 2,80 kgs

Recomended Maximum Width: 3700mm

Closing Surface : 56 mm

Maximum Usage Area: 12 m²

Recomended Maximum Height : 3350 mm

Standard Production Length: 6500 mm

Number of Profiles at 1m Height : 17,857 (per piece)

Specifications of Packafes: 1 package :
30 piece x 6,50m = 195 m

Dimension of Packages :
width x height x length = 170 x 90 x 6500mm

Alusel – 56 Plus Aluminum Polyurethane Filled Blinds Profile



Code : 48 Open Cream

Aluminum Polyurethane Filled Profile
Ventilation with hole (AHO) – SL.056.XX.AHO
Aluminum Polyurethane Filled Profile –
Ventilation without hole (AWH) – SL.056.XX.AWH

Nominal Thickness: 12,3 mm

Weight (m²/kg): 2,80 kgs

Recomended Maximum Width: 3700mm

Closing Surface : 56 mm

Maximum Usage Area: 12 m²

Recomended Maximum Height : 3350 mm

Standard Production Length: 6500 mm

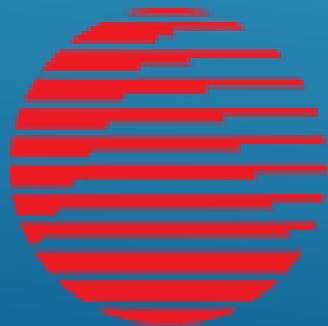
Number of Profiles at 1m Height : 17,857 (per piece)

Specifications of Packafes: 1 package :
30 piece x 6,50m = 195 m

Dimension of Packages :
width x height x length = 170 x 90 x 6500mm



77 Aluminum Polyurethane Filled Blinds Profile



Alusel – 77 Aluminum Polyurethane Filled Blinds Profile



Code : 01 White

Aluminum Polyurethane Filled Profile
Ventilation with hole (AHO) – SL.077.XX.AHO

Aluminum Polyurethane Filled Profile –
Ventilation without hole (AWH) – SL.077.XX.AWH

Nominal Thickness: 18,5 mm

Weight (m²/kg): 4,547 kgs

Recomended Maximum Width: 5700mm

Closing Surface : 77 mm

Maximum Usage Area: 20 m²

Recomended Maximum Height : 4250 mm

Standard Production Length: 6500 mm

Number of Profiles at 1m Height : 12,987 (per piece)

Specifications of Packafes: 1 package :
10 piece x 6,50m = 65 m

Dimension of Packages :
width x height x length = 160 x 90 x 6500mm

Alusel – 77 Aluminum Polyurethane Filled Blinds Profile



Code : 02 Gray

Aluminum Polyurethane Filled Profile
Ventilation with hole (AHO) – SL.077.XX.AHO

Aluminum Polyurethane Filled Profile –
Ventilation without hole (AWH) – SL.077.XX.AWH

Nominal Thickness: 18,5 mm

Weight (m²/kg): 4,547 kgs

Recomended Maximum Width: 5700mm

Closing Surface : 77 mm

Maximum Usage Area: 20 m²

Recomended Maximum Height : 4250 mm

Standard Production Length: 6500 mm

Number of Profiles at 1m Height : 12,987 (per piece)

Specifications of Packafes: 1 package :
10 piece x 6,50m = 65 m

Dimension of Packages :
width x height x length = 160 x 90 x 6500mm

Alusel – 77 Aluminum Polyurethane Filled Blinds Profile



Code : 03 Brown

Aluminum Polyurethane Filled Profile
Ventilation with hole (AHO) – SL.077.XX.AHO

Aluminum Polyurethane Filled Profile –
Ventilation without hole (AWH) – SL.077.XX.AWH

Nominal Thickness: 18,5 mm

Weight (m²/kg): 4,547 kgs

Recomended Maximum Width: 5700mm

Closing Surface : 77 mm

Maximum Usage Area: 20 m²

Recomended Maximum Height : 4250 mm

Standard Production Length: 6500 mm

Number of Profiles at 1m Height : 12,987 (per piece)

Specifications of Packafes: 1 package :
10 piece x 6,50m = 65 m

Dimension of Packages :
width x height x length = 160 x 90 x 6500mm

Alusel – 77 Aluminum Polyurethane Filled Blinds Profile



Code : 04 Metallic Gray

Aluminum Polyurethane Filled Profile
Ventilation with hole (AHO) – SL.077.XX.AHO

Aluminum Polyurethane Filled Profile –
Ventilation without hole (AWH) – SL.077.XX.AWH

Nominal Thickness: 18,5 mm

Weight (m²/kg): 4,547 kgs

Recomended Maximum Width: 5700mm

Closing Surface : 77 mm

Maximum Usage Area: 20 m²

Recomended Maximum Height : 4250 mm

Standard Production Length: 6500 mm

Number of Profiles at 1m Height : 12,987 (per piece)

Specifications of Packafes: 1 package :
10 piece x 6,50m = 65 m

Dimension of Packages :
width x height x length = 160 x 90 x 6500mm

Alusel – 77 Aluminum Polyurethane Filled Blinds Profile



Code : 06 Dark Wood

Aluminum Polyurethane Filled Profile
Ventilation with hole (AHO) – SL.077.XX.AHO

Aluminum Polyurethane Filled Profile –
Ventilation without hole (AWH) – SL.077.XX.AWH

Nominal Thickness: 18,5 mm

Weight (m²/kg): 4,547 kgs

Recomended Maximum Width: 5700mm

Closing Surface : 77 mm

Maximum Usage Area: 20 m²

Recomended Maximum Height : 4250 mm

Standard Production Length: 6500 mm

Number of Profiles at 1m Height : 12,987 (per piece)

Specifications of Packafes: 1 package :
10 piece x 6,50m = 65 m

Dimension of Packages :
width x height x length = 160 x 90 x 6500mm

Alusel – 77 Aluminum Polyurethane Filled Blinds Profile



Code : 08 Cream

Aluminum Polyurethane Filled Profile
Ventilation with hole (AHO) – SL.077.XX.AHO

Aluminum Polyurethane Filled Profile –
Ventilation without hole (AWH) – SL.077.XX.AWH

Nominal Thickness: 18,5 mm

Weight (m²/kg): 4,547 kgs

Recomended Maximum Width: 5700mm

Closing Surface : 77 mm

Maximum Usage Area: 20 m²

Recomended Maximum Height : 4250 mm

Standard Production Length: 6500 mm

Number of Profiles at 1m Height : 12,987 (per piece)

Specifications of Packafes: 1 package :
10 piece x 6,50m = 65 m

Dimension of Packages :
width x height x length = 160 x 90 x 6500mm

Alusel – 77 Aluminum Polyurethane Filled Blinds Profile



Code : 11 Open Beige

Aluminum Polyurethane Filled Profile
Ventilation with hole (AHO) – SL.077.XX.AHO

Aluminum Polyurethane Filled Profile –
Ventilation without hole (AWH) – SL.077.XX.AWH

Nominal Thickness: 18,5 mm

Weight (m²/kg): 4,547 kgs

Recomended Maximum Width: 5700mm

Closing Surface : 77 mm

Maximum Usage Area: 20 m²

Recomended Maximum Height : 4250 mm

Standard Production Length: 6500 mm

Number of Profiles at 1m Height : 12,987 (per piece)

Specifications of Packafes: 1 package :
10 piece x 6,50m = 65 m

Dimension of Packages :
width x height x length = 160 x 90 x 6500mm

Alusel – 77 Aluminum Polyurethane Filled Blinds Profile



Code : 16 Black

Aluminum Polyurethane Filled Profile
Ventilation with hole (AHO) – SL.077.XX.AHO

Aluminum Polyurethane Filled Profile –
Ventilation without hole (AWH) – SL.077.XX.AWH

Nominal Thickness: 18,5 mm

Weight (m²/kg): 4,547 kgs

Recomended Maximum Width: 5700mm

Closing Surface : 77 mm

Maximum Usage Area: 20 m²

Recomended Maximum Height : 4250 mm

Standard Production Length: 6500 mm

Number of Profiles at 1m Height : 12,987 (per piece)

Specifications of Packafes: 1 package :
10 piece x 6,50m = 65 m

Dimension of Packages :
width x height x length = 160 x 90 x 6500mm

Alusel – 77 Aluminum Polyurethane Filled Blinds Profile



Code : 24 Anthracite Gray

Aluminum Polyurethane Filled Profile
Ventilation with hole (AHO) – SL.077.XX.AHO

Aluminum Polyurethane Filled Profile –
Ventilation without hole (AWH) – SL.077.XX.AWH

Nominal Thickness: 18,5 mm

Weight (m²/kg): 4,547 kgs

Recomended Maximum Width: 5700mm

Closing Surface : 77 mm

Maximum Usage Area: 20 m²

Recomended Maximum Height : 4250 mm

Standard Production Length: 6500 mm

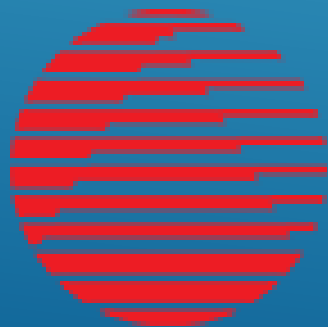
Number of Profiles at 1m Height : 12,987 (per piece)

Specifications of Packafes: 1 package :
10 piece x 6,50m = 65 m

Dimension of Packages :
width x height x length = 160 x 90 x 6500mm



77 Plus Aluminum Polyurethane Filled Blinds Profile



Alusel – 77 Plus Aluminum Polyurethane Filled Blinds Profile



Code : 01 White

Aluminum Polyurethane Filled Profile
Ventilation with hole (AHO) – SL.S77.XX.AHO

Aluminum Polyurethane Filled Profile –
Ventilation without hole (AWH) – SL.S77.XX.AWH

Nominal Thickness: 18,5 mm

Weight (m²/kg): 4,157 kgs

Recomended Maximum Width: 5400mm

Closing Surface : 77 mm

Maximum Usage Area: 18 m²

Recomended Maximum Height : 3850 mm

Standard Production Length: 6500 mm

Number of Profiles at 1m Height : 12,987 (per piece)

Specifications of Packafes: 1 package :
10 piece x 6,50m = 65 m

Dimension of Packages :
width x height x length = 160 x 90 x 6500mm

Alusel – 77 Plus Aluminum Polyurethane Filled Blinds Profile



Code : 02 Gray

Aluminum Polyurethane Filled Profile
Ventilation with hole (AHO) – SL.S77.XX.AHO

Aluminum Polyurethane Filled Profile –
Ventilation without hole (AWH) – SL.S77.XX.AWH

Nominal Thickness: 18,5 mm

Weight (m²/kg): 4,157 kgs

Recomended Maximum Width: 5400mm

Closing Surface : 77 mm

Maximum Usage Area: 18 m²

Recomended Maximum Height : 3850 mm

Standard Production Length: 6500 mm

Number of Profiles at 1m Height : 12,987 (per piece)

Specifications of Packafes: 1 package :
10 piece x 6,50m = 65 m

Dimension of Packages :
width x height x length = 160 x 90 x 6500mm

Alusel – 77 Plus Aluminum Polyurethane Filled Blinds Profile



Code : 03 Brown

Aluminum Polyurethane Filled Profile
Ventilation with hole (AHO) – SL.S77.XX.AHO

Aluminum Polyurethane Filled Profile –
Ventilation without hole (AWH) – SL.S77.XX.AWH

Nominal Thickness: 18,5 mm

Weight (m²/kg): 4,157 kgs

Recomended Maximum Width: 5400mm

Closing Surface : 77 mm

Maximum Usage Area: 18 m²

Recomended Maximum Height : 3850 mm

Standard Production Length: 6500 mm

Number of Profiles at 1m Height :12,987 (per piece)

Specifications of Packafes: 1 package :
10 piece x 6,50m = 65 m

Dimension of Packages :
width x height x length = 160 x 90 x 6500mm

Alusel – 77 Plus Aluminum Polyurethane Filled Blinds Profile



Code : 04 Metallic Gray

Aluminum Polyurethane Filled Profile
Ventilation with hole (AHO) – SL.S77.XX.AHO

Aluminum Polyurethane Filled Profile –
Ventilation without hole (AWH) – SL.S77.XX.AWH

Nominal Thickness: 18,5 mm

Weight (m²/kg): 4,157 kgs

Recomended Maximum Width: 5400mm

Closing Surface : 77 mm

Maximum Usage Area: 18 m²

Recomended Maximum Height : 3850 mm

Standard Production Length: 6500 mm

Number of Profiles at 1m Height : 12,987 (per piece)

Specifications of Packafes: 1 package :
10 piece x 6,50m = 65 m

Dimension of Packages :
width x height x length = 160 x 90 x 6500mm

Alusel – 77 Plus Aluminum Polyurethane Filled Blinds Profile



Code : 06 Dark Wood

Aluminum Polyurethane Filled Profile
Ventilation with hole (AHO) – SL.S77.XX.AHO

Aluminum Polyurethane Filled Profile –
Ventilation without hole (AWH) – SL.S77.XX.AWH

Nominal Thickness: 18,5 mm

Weight (m²/kg): 4,157 kgs

Recomended Maximum Width: 5400mm

Closing Surface : 77 mm

Maximum Usage Area: 18 m²

Recomended Maximum Height : 3850 mm

Standard Production Length: 6500 mm

Number of Profiles at 1m Height :12,987 (per piece)

Specifications of Packafes: 1 package :
10 piece x 6,50m = 65 m

Dimension of Packages :
width x height x length = 160 x 90 x 6500mm

Alusel – 77 Plus Aluminum Polyurethane Filled Blinds Profile

Aluminum Polyurethane Filled Profile
Ventilation with hole (AHO) – SL.S77.XX.AHO
Aluminum Polyurethane Filled Profile –
Ventilation without hole (AWH) – SL.S77.XX.AWH

Nominal Thickness: 18,5 mm

Weight (m²/kg): 4,157 kgs

Recomended Maximum Width: 5400mm

Closing Surface : 77 mm

Maximum Usage Area: 18 m²

Recomended Maximum Height : 3850 mm

Standard Production Length: 6500 mm

Number of Profiles at 1m Height :12,987 (per piece)

Specifications of Packafes: 1 package :
10 piece x 6,50m = 65 m

Dimension of Packages :
width x height x length = 160 x 90 x 6500mm



Code : 07 Metallic Bronze

Alusel – 77 Plus Aluminum Polyurethane Filled Blinds Profile



Code : 08 Cream

Aluminum Polyurethane Filled Profile
Ventilation with hole (AHO) – SL.S77.XX.AHO

Aluminum Polyurethane Filled Profile –
Ventilation without hole (AWH) – SL.S77.XX.AWH

Nominal Thickness: 18,5 mm

Weight (m²/kg): 4,157 kgs

Recomended Maximum Width: 5400mm

Closing Surface : 77 mm

Maximum Usage Area: 18 m²

Recomended Maximum Height : 3850 mm

Standard Production Length: 6500 mm

Number of Profiles at 1m Height :12,987 (per piece)

Specifications of Packafes: 1 package :
10 piece x 6,50m = 65 m

Dimension of Packages :
width x height x length = 160 x 90 x 6500mm

Alusel – 77 Plus Aluminum Polyurethane Filled Blinds Profile



Code : 11 Open Beige

Aluminum Polyurethane Filled Profile
Ventilation with hole (AHO) – SL.S77.XX.AHO

Aluminum Polyurethane Filled Profile –
Ventilation without hole (AWH) – SL.S77.XX.AWH

Nominal Thickness: 18,5 mm

Weight (m²/kg): 4,157 kgs

Recomended Maximum Width: 5400mm

Closing Surface : 77 mm

Maximum Usage Area: 18 m²

Recomended Maximum Height : 3850 mm

Standard Production Length: 6500 mm

Number of Profiles at 1m Height :12,987 (per piece)

Specifications of Packafes: 1 package :
10 piece x 6,50m = 65 m

Dimension of Packages :
width x height x length = 160 x 90 x 6500mm

Alusel – 77 Plus Aluminum Polyurethane Filled Blinds Profile



Code : 12 Algae Green

Aluminum Polyurethane Filled Profile
Ventilation with hole (AHO) – SL.S77.XX.AHO

Aluminum Polyurethane Filled Profile –
Ventilation without hole (AWH) – SL.S77.XX.AWH

Nominal Thickness: 18,5 mm

Weight (m²/kg): 4,157 kgs

Recomended Maximum Width: 5400mm

Closing Surface : 77 mm

Maximum Usage Area: 18 m²

Recomended Maximum Height : 3850 mm

Standard Production Length: 6500 mm

Number of Profiles at 1m Height :12,987 (per piece)

Specifications of Packafes: 1 package :
10 piece x 6,50m = 65 m

Dimension of Packages :
width x height x length = 160 x 90 x 6500mm

Alusel – 77 Plus Aluminum Polyurethane Filled Blinds Profile



Code : 16 Black

Aluminum Polyurethane Filled Profile
Ventilation with hole (AHO) – SL.S77.XX.AHO

Aluminum Polyurethane Filled Profile –
Ventilation without hole (AWH) – SL.S77.XX.AWH

Nominal Thickness: 18,5 mm

Weight (m²/kg): 4,157 kgs

Recomended Maximum Width: 5400mm

Closing Surface : 77 mm

Maximum Usage Area: 18 m²

Recomended Maximum Height : 3850 mm

Standard Production Length: 6500 mm

Number of Profiles at 1m Height :12,987 (per piece)

Specifications of Packafes: 1 package :
10 piece x 6,50m = 65 m

Dimension of Packages :
width x height x length = 160 x 90 x 6500mm

Alusel – 77 Plus Aluminum Polyurethane Filled Blinds Profile



Code : 17 Golden Oak

Aluminum Polyurethane Filled Profile
Ventilation with hole (AHO) – SL.S77.XX.AHO

Aluminum Polyurethane Filled Profile –
Ventilation without hole (AWH) – SL.S77.XX.AWH

Nominal Thickness: 18,5 mm

Weight (m²/kg): 4,157 kgs

Recomended Maximum Width: 5400mm

Closing Surface : 77 mm

Maximum Usage Area: 18 m²

Recomended Maximum Height : 3850 mm

Standard Production Length: 6500 mm

Number of Profiles at 1m Height :12,987 (per piece)

Specifications of Packafes: 1 package :
10 piece x 6,50m = 65 m

Dimension of Packages :
width x height x length = 160 x 90 x 6500mm

Alusel – 77 Plus Aluminum Polyurethane Filled Blinds Profile



Code : 24 Anthracite Gray

Aluminum Polyurethane Filled Profile
Ventilation with hole (AHO) – SL.S77.XX.AHO

Aluminum Polyurethane Filled Profile –
Ventilation without hole (AWH) – SL.S77.XX.AWH

Nominal Thickness: 18,5 mm

Weight (m²/kg): 4,157 kgs

Recomended Maximum Width: 5400mm

Closing Surface : 77 mm

Maximum Usage Area: 18 m²

Recomended Maximum Height : 3850 mm

Standard Production Length: 6500 mm

Number of Profiles at 1m Height :12,987 (per piece)

Specifications of Packafes: 1 package :
10 piece x 6,50m = 65 m

Dimension of Packages :
width x height x length = 160 x 90 x 6500mm

Alusel – 77 Plus Aluminum Polyurethane Filled Blinds Profile



Code : 25 Walnut Wood

Aluminum Polyurethane Filled Profile
Ventilation with hole (AHO) – SL.S77.XX.AHO
Aluminum Polyurethane Filled Profile –
Ventilation without hole (AWH) – SL.S77.XX.AWH

Nominal Thickness: 18,5 mm

Weight (m²/kg): 4,157 kgs

Recomended Maximum Width: 5400mm

Closing Surface : 77 mm

Maximum Usage Area: 18 m²

Recomended Maximum Height : 3850 mm

Standard Production Length: 6500 mm

Number of Profiles at 1m Height :12,987 (per piece)

Specifications of Packafes: 1 package :
10 piece x 6,50m = 65 m

Dimension of Packages :
width x height x length = 160 x 90 x 6500mm

Alusel – 77 Plus Aluminum Polyurethane Filled Blinds Profile



Code : 32 Mink

Aluminum Polyurethane Filled Profile
Ventilation with hole (AHO) – SL.S77.XX.AHO

Aluminum Polyurethane Filled Profile –
Ventilation without hole (AWH) – SL.S77.XX.AWH

Nominal Thickness: 18,5 mm

Weight (m²/kg): 4,157 kgs

Recomended Maximum Width: 5400mm

Closing Surface : 77 mm

Maximum Usage Area: 18 m²

Recomended Maximum Height : 3850 mm

Standard Production Length: 6500 mm

Number of Profiles at 1m Height :12,987 (per piece)

Specifications of Packafes: 1 package :
10 piece x 6,50m = 65 m

Dimension of Packages :
width x height x length = 160 x 90 x 6500mm

Alusel – 77 Plus Aluminum Polyurethane Filled Blinds Profile

Aluminum Polyurethane Filled Profile
Ventilation with hole (AHO) – SL.S77.XX.AHO
Aluminum Polyurethane Filled Profile –
Ventilation without hole (AWH) – SL.S77.XX.AWH

Nominal Thickness: 18,5 mm
Weight (m²/kg): 4,157 kgs
Recomended Maximum Width: 5400mm

Closing Surface : 77 mm

Maximum Usage Area: 18 m²

Recomended Maximum Height : 3850 mm

Standard Production Length: 6500 mm

Number of Profiles at 1m Height :12,987 (per piece)

Specifications of Packafes: 1 package :
10 piece x 6,50m = 65 m

Dimension of Packages :
width x height x length = 160 x 90 x 6500mm



Code : 44 Gray Brown

Express Glass System



Ekspress System glass balcony closure system is a multifunctional system that we have produced with years of experience. It works perfectly on all types of balconies, and thanks to its ease of use and mobility, it is unrivaled against its domestic and foreign counterparts.

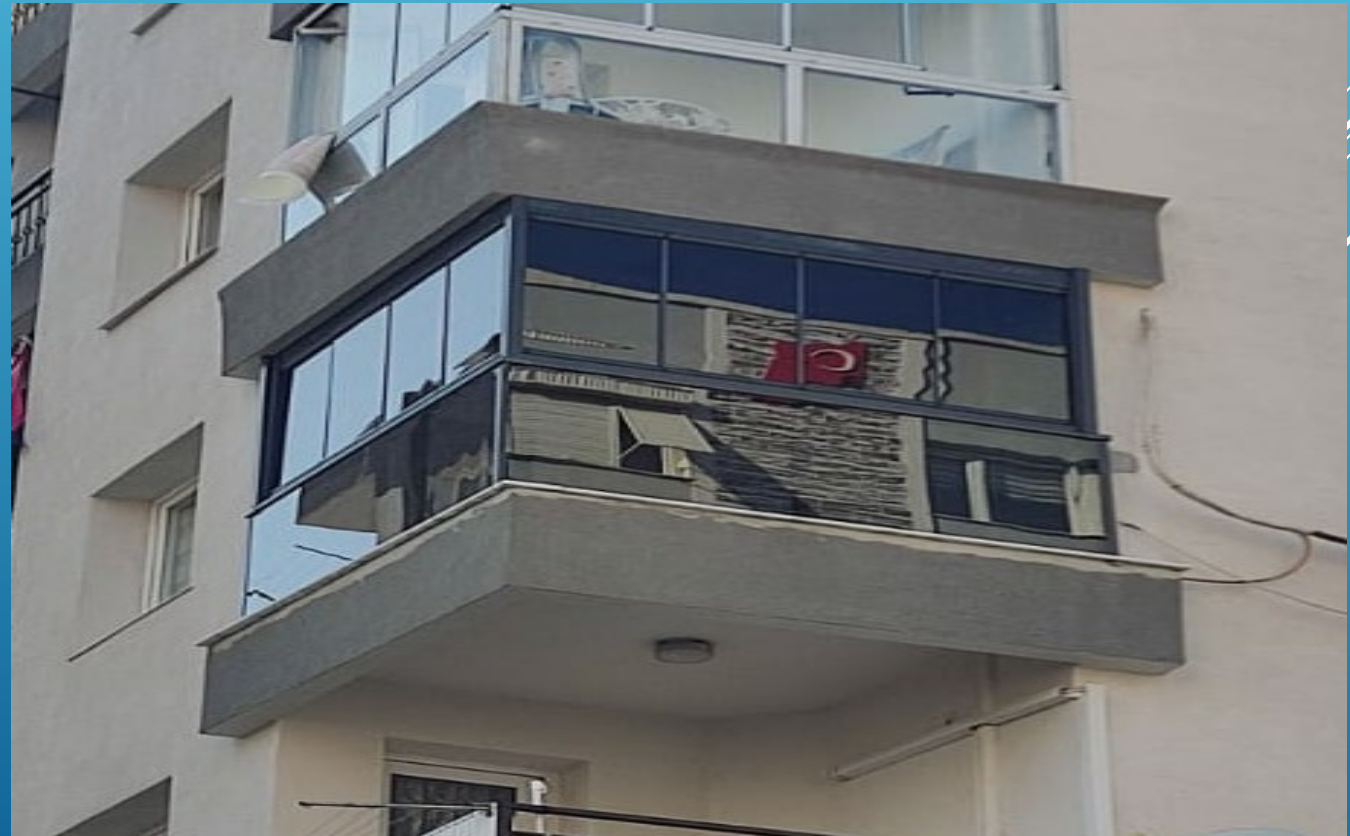
The system, which moves in horizontal roller bearings with 4*4 bearing system, has excellent mobility even at the narrowest angles. The advantage of the 4*4 bearing system operating from the bottom and the top is that the glass load is not felt by the user during the movement.

Another unique feature of the system is that it works easily even when the channels that allow the bearings to move are clogged up to 1.3 cm and is absolutely not affected by dust and dirt. The maximum height to which this system can be applied is 260 cm. Wing widths are between 40-80 cm. It is a system that can work from above and below. There are 8mm-10mm glass options. Aluminum wall thickness varies between 2 and 3 mm depending on the load it carries.

The rain gutter we have developed is not complete with the lower profile, it is used when requested. Since the chute system will go out in case the wings are opened outward, the chute system is optionally used.

Ekspress System has been designed with customer satisfaction, quality and easy installation in mind. Profile design and registration is documented by TPE.

Express Glass System



System with Ultra Heat Glass and Jalousie (Folding Glass System)



Ultra Insulating Glass & Blind System is a system designed because of the heat loss in the closed space in normal folding glass systems.

More heat, sound and water insulation are considered. Heat insulated glass combination 4+22+4 double-sided tempered glass is used. Aluminum intermediate wick is used at the junction of the two glasses. At the junction of each glass, a double-sided bristle wick attached to aluminum parts is used.

It is a perfect product for those who want to turn their balcony into a room. Wing widths can be used between 90-190 cm. The system height can be used up to a maximum of 300 cm. The recommended height is 250 cm. A wheel and 8 bearings are used in a wing. Since each bearing is given equal load, it moves very easily. Bearing size is larger than other market products. 629 ZZ bearings are used.

It is a product that can work from the bottom rail and the top rail. Since the gutter system of our own design is used in the bottom case, it is rainproof. 4+20+5mm in windy areas. Double-sided tempered insulating glass system can also be used. The reason for considering a 22 mm gap between two glasses is for the applicability of the blind system. The system is a kind of double glazing and jalousie system. The system is guaranteed for 3 years.

All the accessories of the system are made in our own factory on our CNC benches. Our Ultra Insulating Glass & Blind System R&D has been designed with customer satisfaction, quality and easy installation in mind. Profile design and registration is documented by TPE.

Luxury System (Folding Glass System)



The purpose of the Lux System, which is a perfect system suitable for the intended use of the folding glass system, is to turn off the winter system and turn your balcony into a glass room, allowing you to benefit from the sun. On the same system, you can not let the sun in by lowering the curtains. In regions with hot climates such as the Mediterranean, you can cut the sun as much as you want by lowering the curtains on the system, even when we open the windows in summer. The wing width is between 40-70 cm. System height is maximum 250 cm. Each wing has 4 wheels and 8 bearings. It has top and bottom carrier feature.

Thanks to the rain gutter we have developed, the risk of water intake has been reduced to 5%. Profile wall thicknesses are between 2 and 4.5 mm depending on the task.

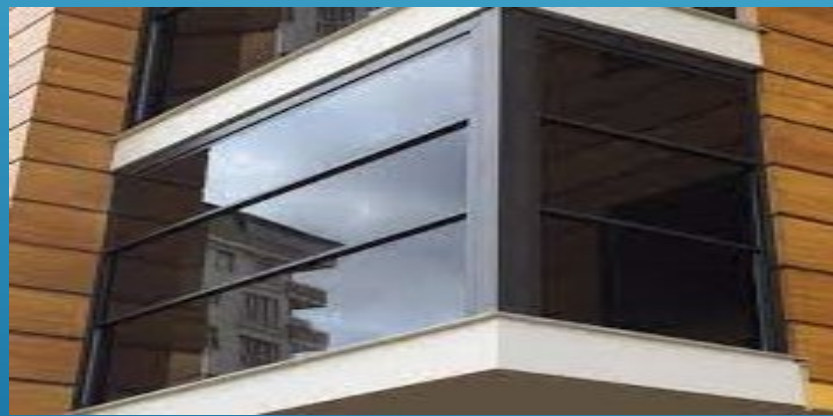
It has been designed with customer satisfaction, quality and easy installation in mind. Profile design and registration is patented by TPE.

Guillotine Glass Systems

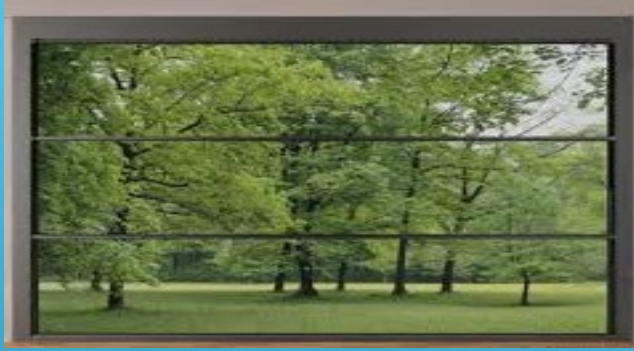
It is an alternative solution for restaurants, cafes, hotels and patisseries. It is used in balconies in new buildings.

- It is classified as insulated and non-insulated.
- The number of optional glasses can be 2 or 3.
- The windows move horizontally, up and down.
- The system moves with the motor. Button and remote start can be given. Both are applicable.
- 8-10 mm Tempered or 4+12+4 Double Glass tempered glass is used.
- It provides insulation thanks to 67 x 1500 hair wicks in the aluminum case on the sides.
- A durable belt with a rope of 3 mm x 25 mm is used to lift the windows. It provides silent operation.
- There are 8 bearings in the side channels that allow the windows to move easily and take their space.
- The maximum dimensions are 4250 mm wide and 2600 mm high.
- 15 intermediates can be controlled with a single remote. You can stop the windows wherever you want.
- When the place is open, it acts as a glass railing since 3 glasses stand side by side.
- When the place is closed, it provides sound, heat and water insulation.
- It is safe. It also does not require a lock.
- You can leave it open as much as you want from the top to the bottom and let the space breathe without feeling the discomfort of the wind.
- MOVING HANDRAIL SYSTEM has been designed with customer satisfaction, quality and easy installation in mind. Profile design and registration is documented by TPE.

Guillotine Glass Systems



Assisted Guillotine System



It is an alternative solution for high-rise buildings, restaurants, cafes, hotels and patisseries.

- Since the bottom window can be opened in 437:459 system, all windows can be wiped.
- The windows move horizontally, up and down.
- The system moves with the motor. Button and remote start can be given. Both are applicable.
- 4+16+4 mm tempered glass is used. (The combination can be changed optionally.)
- It provides insulation thanks to 67 x 1200 bristle wicks in the aluminum case on the sides.
- A durable belt with a 20 mm x 25 mm inner rope is used that lifts the windows. It provides silent operation. (Optionally, it can be used on a chain instead of a belt.)
- There are 8 ball bearings on each wing that allows the windows to move freely in the side channels and takes their space.
- 20 systems can be controlled with a single remote. You can stop the windows wherever you want.
- When the system is on, it acts as a glass railing since 3 glasses stand side by side.
- When the system is turned off, it provides sound, heat and water insulation.
- It is safe. It also does not require a lock.
- You can leave it open as much as you want from the top to the bottom and let the space breathe without feeling the discomfort of the wind.

Assisted Guillotine System

It has been designed with customer satisfaction, quality and easy installation in mind. Profile design and registration is documented by TPE.

1. The internal space of the plinths is 24 mm in total. Optional glass thickness can be changed.
2. Aluminum wall thickness is 2 mm.
3. Optional glass number can be applied as 2 or 3 in the system.
4. Thanks to the durable chain used in the system, the windows move up and down easily and silently. Optionally, a durable belt with a 20 mm x 25 mm inner rope can be used.
5. We have 8 steel and stainless steel bearings on our side rails so that our windows can go up and down in a balanced way.
6. Optional (BECKER, MOSEL or SOMFY MOTOR) is used in our systems.
7. Our maximum dimensions are 5500mm in width and 2200mm in height. Dimensions can be changed optionally in combination.
8. Thanks to our supported profiles, there is no flexing or swaying in any way.
9. With a single remote, 20 systems can be operated at once.
10. When it is closed, it locks itself and cannot be opened from the outside or inside.
11. Thanks to the add-on side rails in our system, in case of any modification or glass breakage, the modification process can be done easily without damaging the system and without dismantling the product.
12. Optionally, the lower glass can be opened from the inside, providing ease of cleaning.

Motorized Awning System

The folding awning system is a system produced for use in a wider area in the winter garden, hotels, restaurants, cafes and patisseries. No matter what the weather conditions are, rusting, cracking and any disruption in its operation do not occur. It does not harm the architectural image outdoors.

Our folding awning products are produced from aluminum profiles. The system and the led lights in the system are controlled by a remote control. Led lights are hidden inside aluminum profiles.

There is a gutter system on the front of the product. In addition, during the assembly of the system, the system was designed to operate completely without any problems by using stainless inox connection bolts and parts.

The operation of the system is ensured by folding back the awning at a certain speed. If desired, it can block the sun or benefit from the sun.

The Folding Awning System is a completely safe, robust and watertight system. The fabrics used have a blackout feature, are fireproof and are not affected by the sun.

It has been designed with customer satisfaction, quality and easy installation in mind. Profile design and registration is documented by TPE



Roolling Roof – Bioclimatic

Rolling Roof Systems, which can be applied in every space, offer a combination of folding and gathering movements that no sunroof system in the world offers.

Thanks to the panels that can be opened at any angle, it provides the opportunity to benefit from daylight at the desired rate.

Thanks to the folding movement of the panels, it does not lose its shading feature when ventilating from the roof.

Even when the system is open, it provides ventilation without being affected by rain and snow thanks to specially designed profiles.

Thanks to the folding movement of the panels, the external cleaning of the panels can be cleaned from the inside without the need to go to the roof.

It is colored with electrostatic oven paint; Application is made in any color desired.

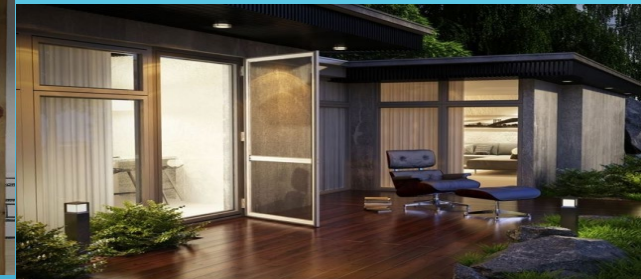
It is long-lasting thanks to the electrostatic oven paint. Rolling Roof Systems are the best solution for places such as restaurants and cafes where the smoking ban is applied.



Somfy Tahoma

Control of your home is even easier with the new TaHoma® switch! TaHoma switch is a smart home system unit that offers two personalized scenario start buttons for central control of your home equipment. You can create scenarios that fit your daily routines and start them easily whenever you want thanks to the buttons. In addition, thanks to the TaHoma application, you can control the equipment in your home at any time, even when you are not at home. TaHoma switch is compatible with many products from Somfy and major home technology brands. You can add a new product to your system when you start using it or later on, and make your home even more comfortable.





Contact Us

Cumba Panjur ve Alüminyum Doğrama Sistemleri İnşaat Sanayi Ticaret Limited Şirketi

Address : Ege Sanayi Sitesi 7901 Sok. No:42/3 Çiğli İZMİR / Turkey

Telephone : +90 232 386 16 86

Mobile : +90 533 170 17 88

Email: export@cumbapanjur.com.tr

info@cumbapanjur.com.tr